

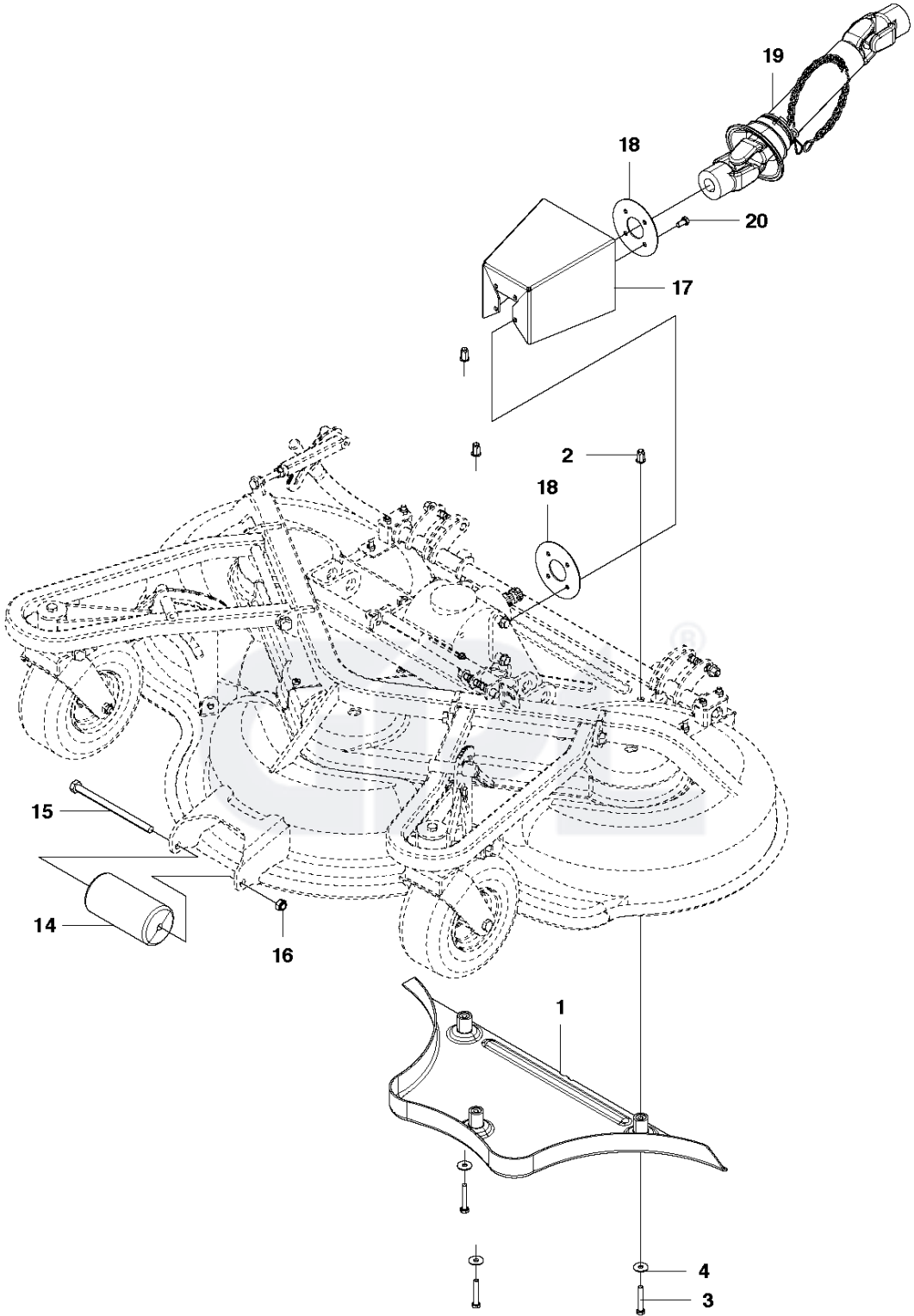


SPARE PARTS LIST

RIDERS

P525 D, 966607401, serial no.
20120100001 -> 20143999999

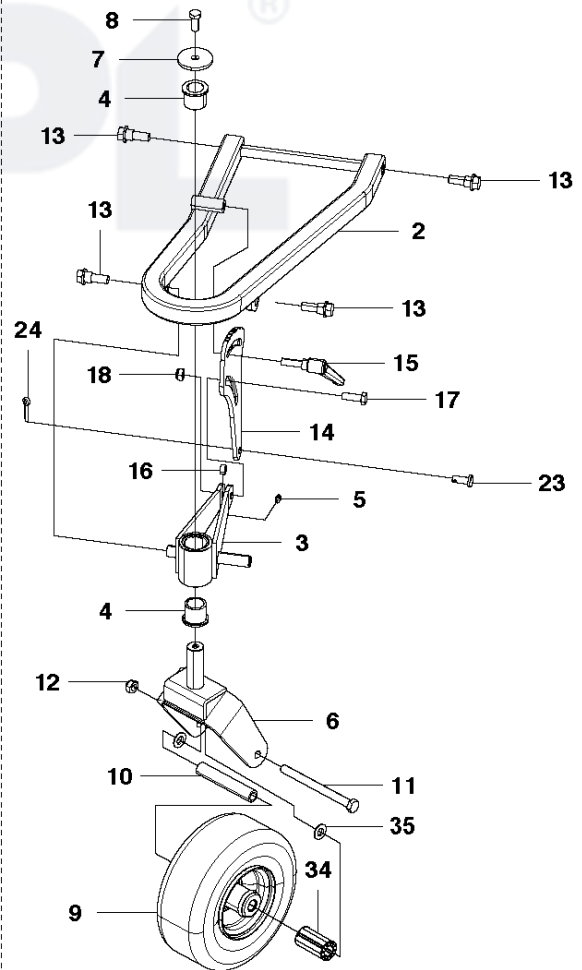
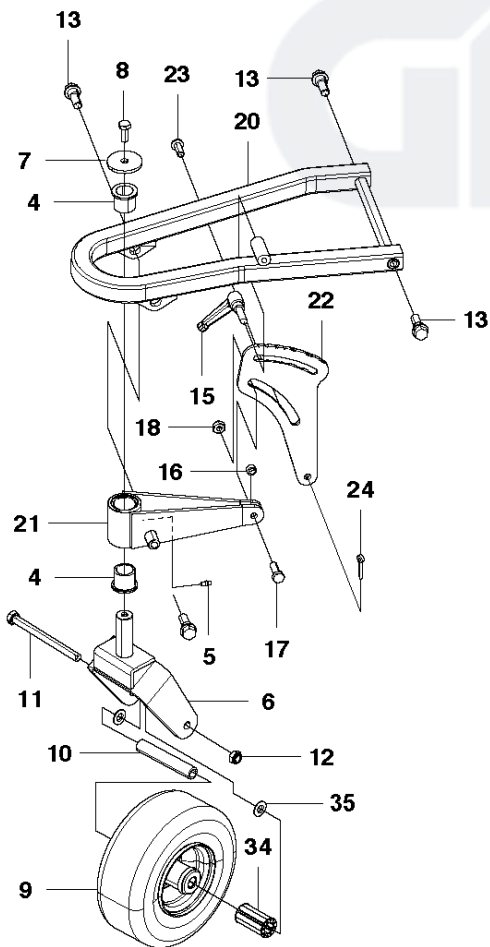
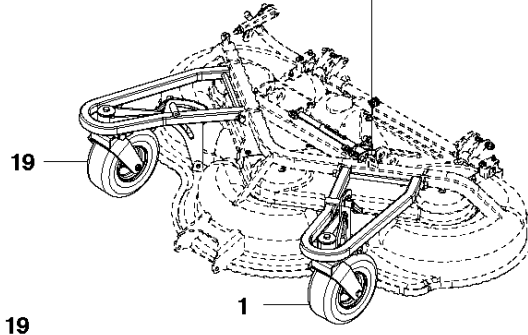
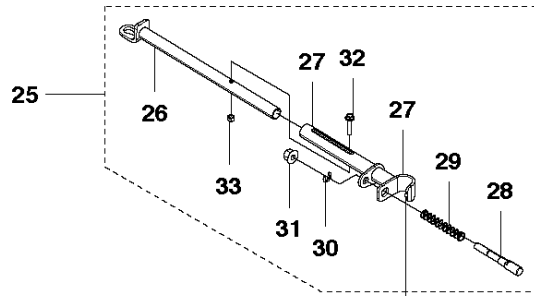
A COMBI 132



Ref	Part No	Description	Remark	QTY KIT
1	544 16 62-02	PLUG ASSY		1
2	506 91 62-03	BLIND RIVET NUT		3
3	725 24 61-51	SCREW EHHM		3
4	734 11 64-41	WASHER		3
14	544 18 54-01	ROLLER		1
15	544 22 10-01	SCREW EHHM		1
16	732 25 22-01	HEXAGON LOCKING NUT		1
17	522 75 00-01	PROTECTION		1
18	522 75 01-01	ATTACHMENT PLATE		2
19	525 57 12-01	SHAFT ASSY		1
20	725 24 49-51	SCREW		4

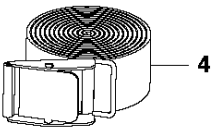
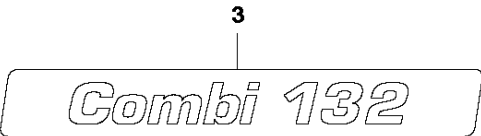
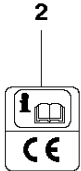
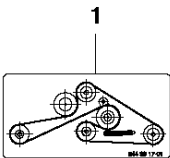


B COMBI 132



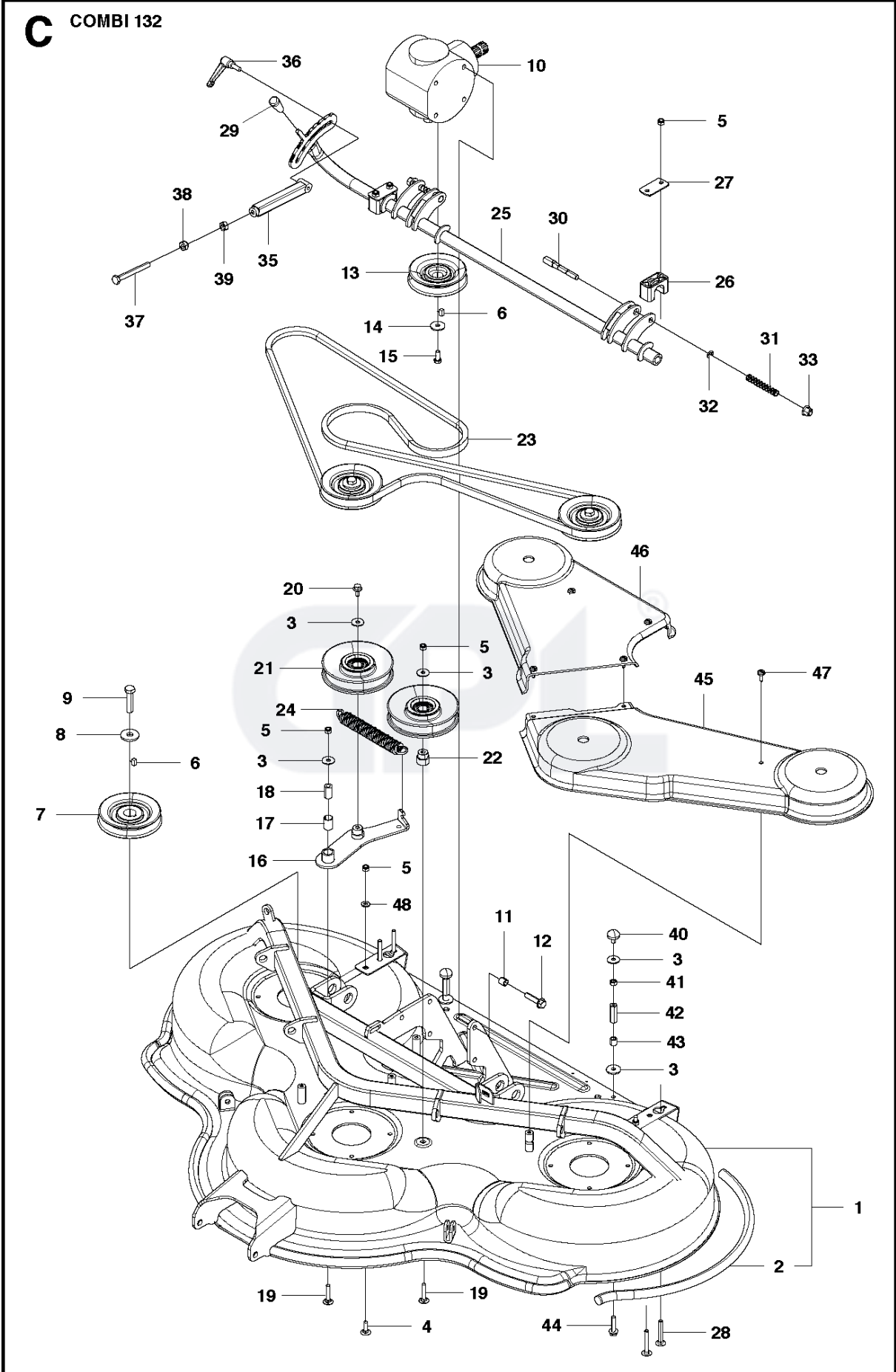
Ref	Part No	Description	Remark	QTY	KIT
1	544 17 32-01	WHEEL SUSPENSION		1	
2	544 17 35-01	SUPPORTING ARM		1	1
3	544 17 33-01	PIVOT WHEEL SUPPORT		1	1
4	544 17 41-02	BEARING BUSH		4	1, 19
5	738 88 10-01	LUBRICATION NIPPLE		2	1, 19
6	544 17 34-01	FORK		2	1, 19
7	506 98 25-01	WASHER		2	1, 19
8	506 67 54-01	SCREW EHHFM		2	1, 19
9	585 06 62-01	PIVOT WHEEL ASSY		2	1, 19
10	539 10 18-72	SPACER		2	1, 19
11	725 25 59-51	SCREW EHHM		2	1, 19
12	732 25 22-01	HEXAGON LOCKING NUT		2	1, 19
13	506 89 58-01	COLLAR SCREW		4	1, 19
14	544 17 50-01	SHEET		1	1
15	544 19 18-01	TURNING KNOB		2	1, 19
16	544 20 02-01	SLEEVE		2	1, 19
17	725 24 95-71	SCREW EHHM		2	1, 19
18	732 21 20-51	NUT		2	1, 19
19	544 17 32-02	WHEEL SUSPENSION		1	
20	544 17 35-02	SUPPORTING ARM		1	19
21	544 17 33-02	PIVOT WHEEL SUPPORT		1	19
22	544 17 50-02	SHEET		1	19
23	721 84 56-01	CLEVIS PIN		2	1, 19
24	721 61 83-01	SPLIT PIN		2	1, 19
25	579 74 47-01	STAY		1	
26	579 28 53-01	STAY		1	
27	579 28 54-01	STAY		1	25
28	579 59 59-01	COTTER		1	25
29	579 50 34-01	SPRING		1	25
30	735 31 13-20	E-CLIP		1	25
31	576 64 57-05	NUT FLANGE		1	25
32	535 47 52-30	SCREW EHHFM		1	25
33	732 21 16-01	NUT		1	25
34	539 97 73-53	ROLLER BEARING		2	1, 19
35	539 97 73-56	ENDCAP, NOTCHED		2	1, 19

D COMBI 132



Ref	Part No	Description	Remark	QTY KIT
1	544 39 17-01	LABEL		1
2	506 92 90-01	LABEL		1
3	544 24 56-01	LABEL		1
4	580 42 86-01	STRAP		1
5	574 51 00-01	DECAL		2

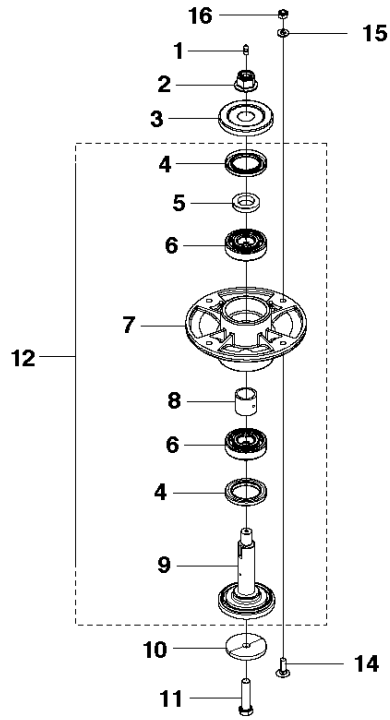




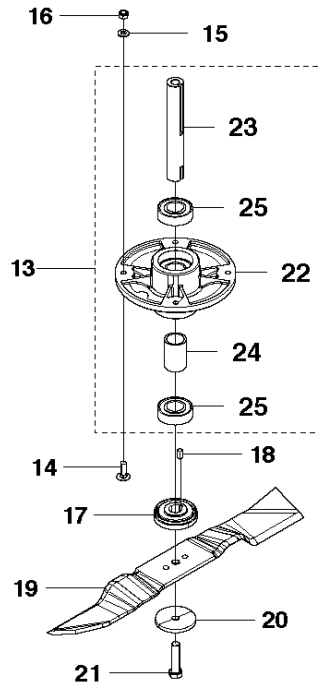
Ref	Part No	Description	Remark	QTY	KIT
1	578 98 28-01	DECK SHELL		1	
2	522 52 35-01	REINFORCEMENT		2	2
3	734 11 64-41	WASHER		7	
4	535 42 38-01	SCREW RSQM		2	
5	732 21 18-01	LOCK NUT		8	
6	506 53 35-01	PARALLEL KEY		4	
7	544 25 56-01	PULLEY		3	
8	535 42 92-01	WASHER		3	
9	725 25 42-51	SCREW EHHM		3	
10	544 18 34-01	BEVEL GEAR		1	
11	577 40 03-01	BUSHING		5	
12	506 67 54-02	SCREW EHHFM		5	
13	544 18 40-01	PULLEY		1	
14	544 22 16-01	WASHER		1	
15	506 57 01-04	SCREW EHHFM		1	
16	544 17 55-01	BELT TENSIONER		1	
17	506 98 61-03	BUSHING		1	
18	506 99 20-01	PIPE		1	
19	727 64 59-51	SCREW		2	
20	506 55 83-02	SCREW EHHFT		1	
21	523 11 62-01	BELT TENSIONER WHEEL		2	
22	535 48 48-01	BUSHING		1	
23	504 87 73-01	BELT		1	
24	544 21 81-05	DRAW SPRING		1	
25	578 93 74-01	CROSS BAR		1	
26	504 19 03-01	BEARING COVER		2	
27	506 81 38-01	REINFORCING PLATE		2	
28	535 42 38-02	SCREW RSQM		4	
29	535 43 82-01	KNOB		1	
30	579 59 59-01	COTTER		2	
31	579 50 34-01	SPRING		2	
32	735 31 13-20	E-CLIP		2	
33	576 64 57-05	NUT FLANGE		2	
35	544 20 11-02	PARALLEL ROD		1	
36	544 19 68-01	TURNING KNOB		1	
37	725 25 09-71	SCREW EHHM		1	
38	732 21 20-51	NUT		1	
39	731 23 20-01	HEXAGON NUT		1	
40	501 97 66-01	ANTIVIBRATION ELEMENT		2	
41	731 23 18-01	HEXAGON NUT		2	
42	544 31 76-01	SPACING SLEEVE		2	
43	585 87 73-01	SLEEVE		2	
44	506 57 01-06	SCREW EHHFM		2	
45	544 18 45-02	BELT COVER		1	
46	544 18 46-02	BELT COVER		1	
47	574 85 62-02	SCREW		5	
48	734 11 64-01	WASHER		2	

E COMBI 132

Greaseable



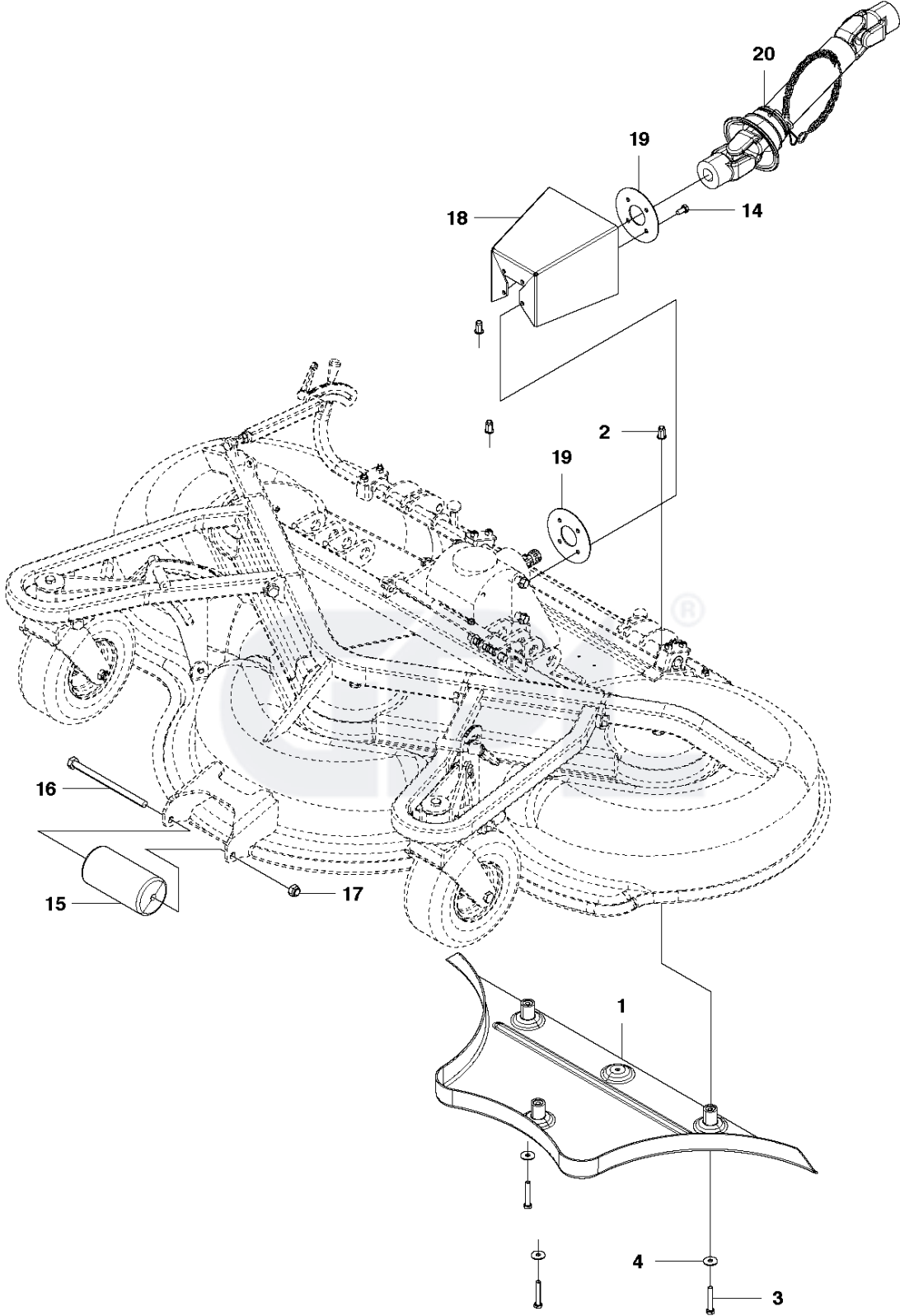
Not Greaseable



Ref	Part No	Description	Remark	QTY	KIT
1	738 88 10-01	LUBRICATION NIPPLE		3	
2	577 41 19-01	NUT FLANGE		3	
3	577 97 08-01	DUST COVER		3	
4	577 22 60-01	RADIAL SEAL		6	12
5	577 16 24-01	SPACER		3	12
6	580 39 80-01	BALL BEARING		6	12
7	578 01 61-01	BEARING HOUSING		3	12
8	577 20 78-01	SPACER		3	12
9	577 97 07-01	BLADE BRACKET		2	12
10	506 79 23-02	KNIFE PLATE		3	
11	725 25 42-86	SCREW EHHM		3	
12	577 16 22-01	BEARING HOUSING ASSY		1	
13	535 42 86-02	BLADE HOUSING ASSY		3	
14	535 42 38-05	SCREW RSQM		12	
15	734 11 64-01	WASHER		14	
16	732 21 18-01	LOCK NUT		12	
17	535 50 42-01	BLADE BRACKET		3	
18	506 53 35-01	PARALLEL KEY		3	
19	544 17 57-01	RIDE ON BLADE		3	
20	506 79 23-02	KNIFE PLATE		3	
21	725 25 42-51	SCREW EHHM		3	
22	535 42 89-01	BEARING HOUSING		1	13
23	535 42 87-02	SHAFT		1	13
24	535 42 88-01	SPACER		1	13
25	738 22 05-19	BALL BEARING		2	13



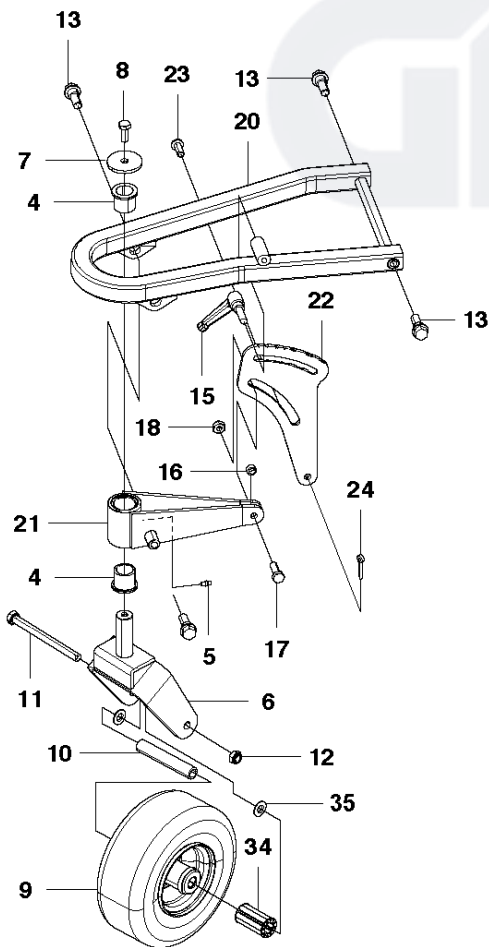
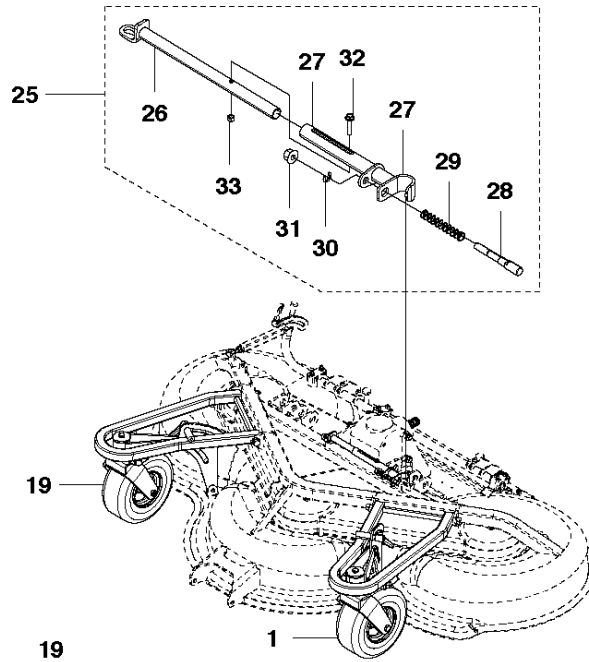
A COMBI 155



Ref	Part No	Description	Remark	QTY KIT
1	544 16 64-02	PLUG ASSY		1
2	506 91 62-03	BLIND RIVET NUT		3
3	725 24 61-51	SCREW EHHM		3
4	734 11 64-41	WASHER		3
14	725 24 49-51	SCREW		4
15	544 18 54-01	ROLLER		1
16	544 22 10-01	SCREW EHHM		1
17	732 25 22-01	HEXAGON LOCKING NUT		1
18	522 75 00-01	PROTECTION		1
19	522 75 01-01	ATTACHMENT PLATE		2
20	525 57 12-01	SHAFT ASSY		1

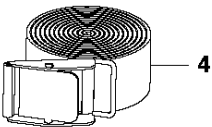
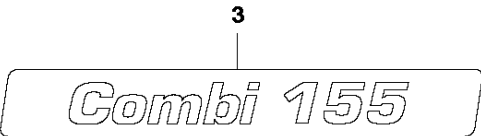
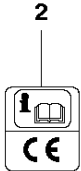
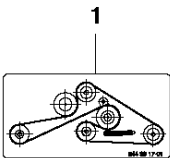


B COMBI 155



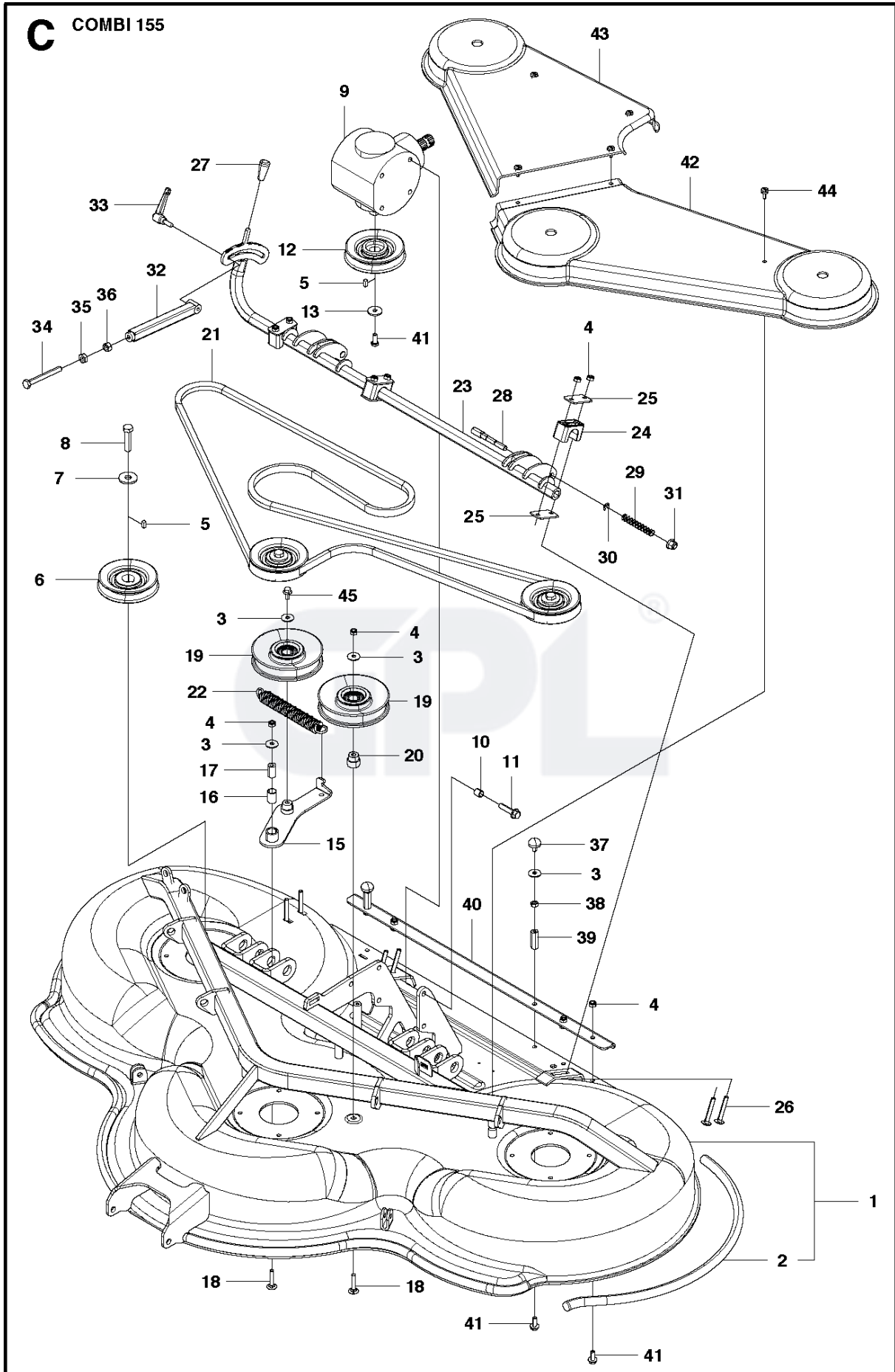
Ref	Part No	Description	Remark	QTY	KIT
1	544 17 32-01	WHEEL SUSPENSION		1	
2	544 17 35-01	SUPPORTING ARM		1	1
3	544 17 33-01	PIVOT WHEEL SUPPORT		1	1
4	544 17 41-02	BEARING BUSH		4	1, 19
5	738 88 10-01	LUBRICATION NIPPLE		2	1, 19
6	544 17 34-01	FORK		2	1, 19
7	506 98 25-01	WASHER		2	1, 19
8	506 67 54-01	SCREW EHHFM		2	1, 19
9	585 06 62-01	PIVOT WHEEL ASSY		2	1, 19
10	539 10 18-72	SPACER		2	1, 19
11	725 25 59-51	SCREW EHHM		2	1, 19
12	732 25 22-01	HEXAGON LOCKING NUT		2	1, 19
13	506 89 58-01	COLLAR SCREW		4	1, 19
14	544 17 50-01	SHEET		1	1
15	544 19 18-01	TURNING KNOB		2	1, 19
16	544 20 02-01	SLEEVE		2	1, 19
17	725 24 95-71	SCREW EHHM		2	1, 19
18	732 21 20-51	NUT		2	1, 19
19	544 17 32-02	WHEEL SUSPENSION		1	
20	544 17 35-02	SUPPORTING ARM		1	19
21	544 17 33-02	PIVOT WHEEL SUPPORT		1	19
22	544 17 50-02	SHEET		1	19
23	721 84 56-01	CLEVIS PIN		2	1, 19
24	721 61 83-01	SPLIT PIN		2	1, 19
25	579 74 47-01	STAY		1	
26	579 28 53-01	STAY		1	
27	579 28 54-01	STAY		1	25
28	579 59 59-01	COTTER		1	25
29	579 50 34-01	SPRING		1	25
30	735 31 13-20	E-CLIP		1	25
31	576 64 57-05	NUT FLANGE		1	25
32	535 47 52-30	SCREW EHHFM		1	25
33	732 21 16-01	NUT		1	25
34	539 97 73-53	ROLLER BEARING		2	1, 19
35	539 97 73-56	ENDCAP, NOTCHED		2	1, 19

D COMBI 155



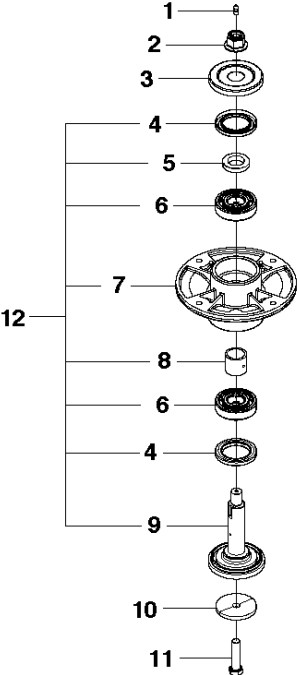
Ref	Part No	Description	Remark	QTY KIT
1	544 39 17-01	LABEL		1
2	506 92 90-01	LABEL		1
3	544 24 56-02	LABEL		1
4	580 42 86-01	STRAP		1
5	574 51 00-01	DECAL		2





Ref	Part No	Description	Remark	QTY	KIT
1	578 98 29-01	DECK SHELL		1	
2	522 52 36-01	REINFORCEMENT		2	2
3	734 11 64-41	WASHER		4	
4	732 21 18-01	LOCK NUT		11	
5	506 53 35-01	PARALLEL KEY		4	
6	544 25 56-01	PULLEY		3	
7	535 42 92-01	WASHER		3	
8	725 25 42-51	SCREW EHHM		3	
9	544 18 34-01	BEVEL GEAR		1	
10	577 40 03-01	BUSHING		5	
11	506 67 54-02	SCREW EHHFM		5	
12	544 18 40-01	PULLEY		1	
13	544 22 16-01	WASHER		1	
15	544 17 55-01	BELT TENSIONER		1	
16	506 98 61-03	BUSHING		1	
17	506 99 20-01	PIPE		1	
18	727 64 59-51	SCREW		2	
19	523 11 62-01	BELT TENSIONER WHEEL		2	
20	535 48 48-01	BUSHING		1	
21	544 18 36-01	BELT		1	
22	544 21 81-05	DRAW SPRING		1	
23	578 93 74-01	CROSS BAR		1	
24	504 19 03-01	BEARING COVER		3	
25	506 81 38-01	REINFORCING PLATE		4	
26	535 42 38-02	SCREW RSQM		6	
27	535 43 82-01	KNOB		1	
28	579 59 59-01	COTTER		2	
29	579 50 34-01	SPRING		2	
30	735 31 13-20	E-CLIP		2	
31	576 64 57-05	NUT FLANGE		2	
32	544 20 11-02	PARALLEL ROD		1	
33	544 19 68-01	TURNING KNOB		1	
34	725 25 09-71	SCREW EHHM		1	
35	732 21 20-51	NUT		1	
36	731 23 20-01	HEXAGON NUT		1	
37	501 97 66-01	ANTIVIBRATION ELEMENT		2	
38	731 23 18-01	HEXAGON NUT		2	
39	544 31 76-01	SPACING SLEEVE		2	
40	501 97 67-01	REINFORCING PLATE		1	
41	506 57 01-04	SCREW EHHFM		6	
42	544 18 47-02	BELT COVER		1	
43	544 18 48-02	BELT COVER		1	
44	574 85 62-02	SCREW		5	
45	506 55 83-02	SCREW EHHFT		1	

E COMBI 155

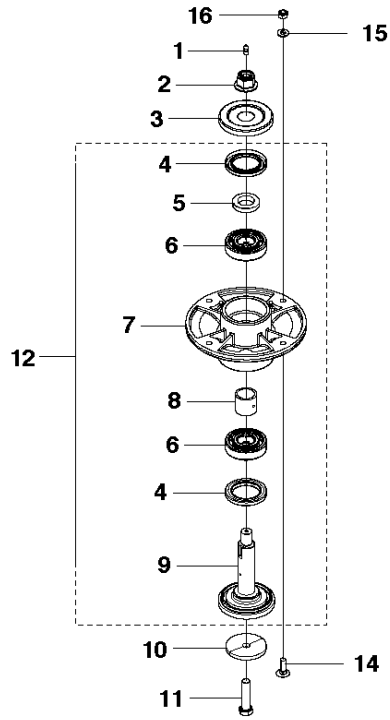


Ref	Part No	Description	Remark	QTY	KIT
1	738 88 10-01	LUBRICATION NIPPLE		3	
2	577 41 19-01	NUT FLANGE		3	
3	577 97 08-01	DUST COVER		3	
4	577 22 60-01	RADIAL SEAL		6	12
5	577 16 24-01	SPACER		3	12
6	580 39 80-01	BALL BEARING		6	12
7	578 01 61-01	BEARING HOUSING		3	12
8	577 20 78-01	SPACER		3	12
9	577 97 07-01	BLADE BRACKET		2	12
10	506 79 23-02	KNIFE PLATE		3	
11	725 25 42-86	SCREW EHHM		3	
12	577 16 22-01	BEARING HOUSING ASSY		1	

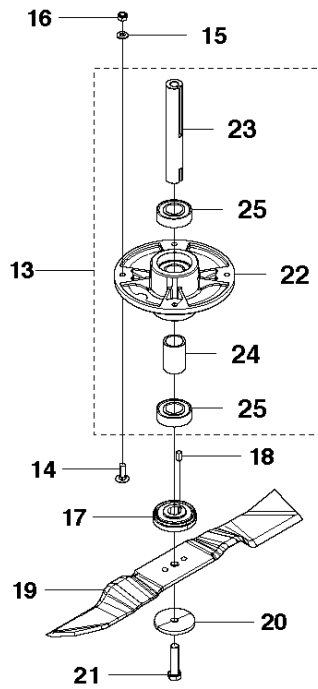


E COMBI 155

Greaseable



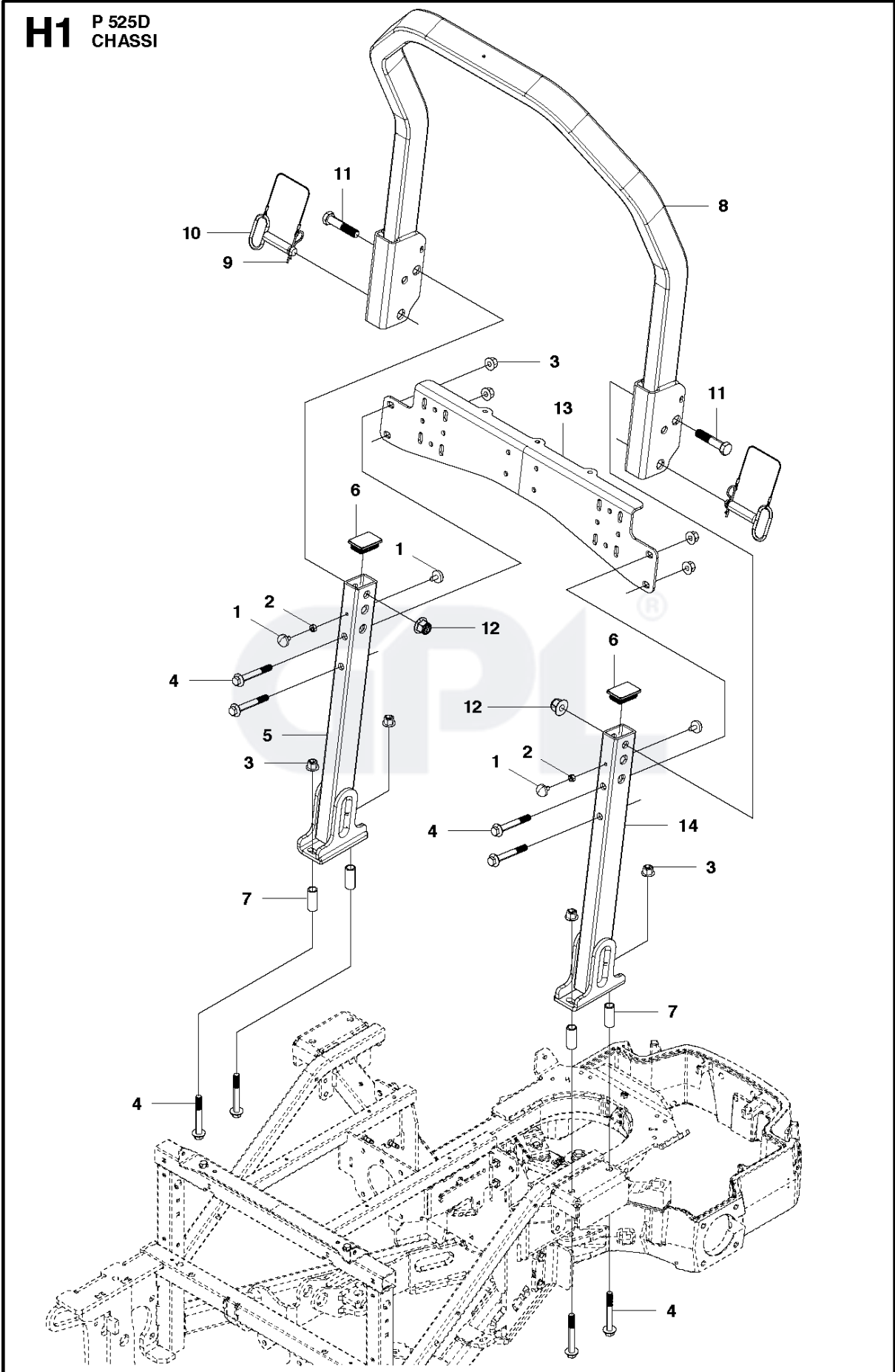
Not Greaseable



Ref	Part No	Description	Remark	QTY	KIT
1	738 88 10-01	LUBRICATION NIPPLE		3	
2	577 41 19-01	NUT FLANGE		3	
3	577 97 08-01	DUST COVER		3	
4	577 22 60-01	RADIAL SEAL		6	12
5	577 16 24-01	SPACER		3	12
6	580 39 80-01	BALL BEARING		6	12
7	578 01 61-01	BEARING HOUSING		3	12
8	577 20 78-01	SPACER		3	12
9	577 97 07-01	BLADE BRACKET		2	12
10	506 79 23-02	KNIFE PLATE		3	
11	725 25 42-86	SCREW EHHM		3	
12	577 16 22-01	BEARING HOUSING ASSY		1	
13	535 42 86-02	BLADE HOUSING ASSY		3	
14	535 42 38-05	SCREW RSQM		12	
15	732 21 18-01	LOCK NUT		12	
16	734 11 64-01	WASHER		12	
17	535 50 42-01	BLADE BRACKET		3	
18	506 53 35-01	PARALLEL KEY		3	
19	544 17 58-01	RIDE ON BLADE		3	
20	506 79 23-02	KNIFE PLATE		3	
21	725 25 42-51	SCREW EHHM		3	
22	535 42 89-01	BEARING HOUSING		1	13
23	535 42 87-02	SHAFT		1	13
24	535 42 88-01	SPACER		1	13
25	738 22 05-19	BALL BEARING		2	13



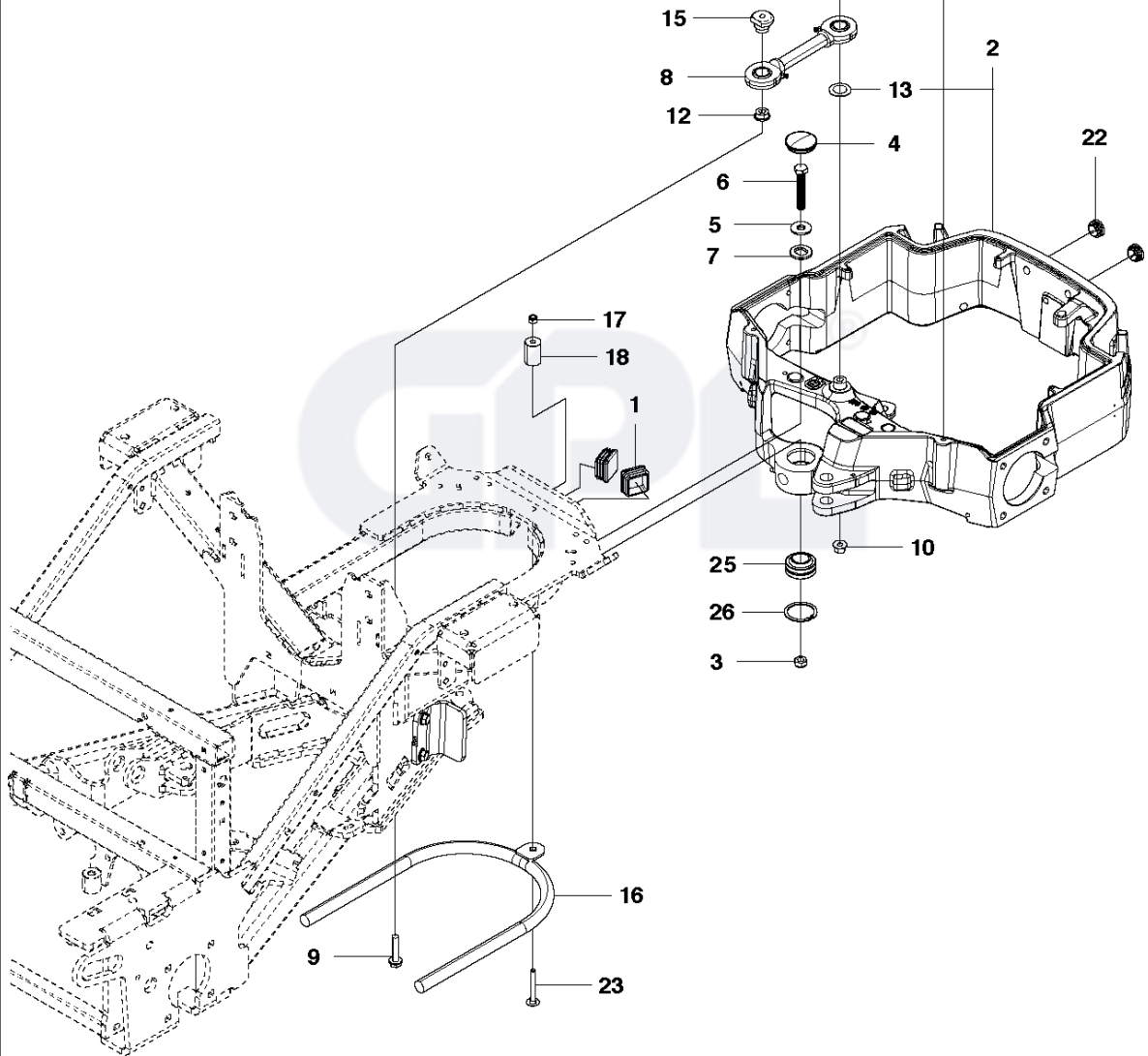
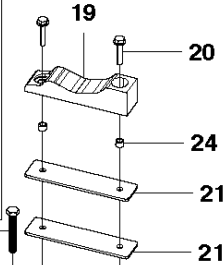
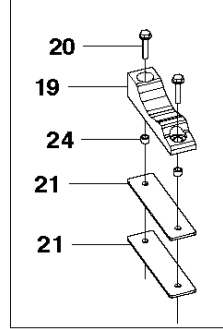
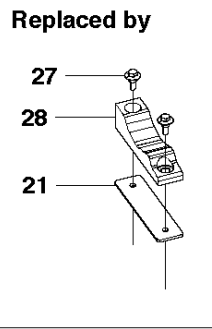
H1 P 525D
CHASSI



Ref	Part No	Description	Remark	QTY KIT
1	501 97 66-01	ANTIVIBRATION ELEMENT		4
2	731 23 18-01	HEXAGON NUT		2
3	576 64 57-06	NUT FLANGE		8
4	576 65 48-09	SCREW EHHFM		8
5	576 12 38-02	ROPS		1
6	577 66 81-01	PLASTIC COVER		2
7	579 70 33-01	TUBE SLEEVE		4
8	576 12 28-01	ROPS		1
9	721 68 02-51	SPRING COTTER		2
10	574 38 80-01	PEN		2
11	577 41 16-01	SCREW EHHM		2
12	577 41 19-01	NUT FLANGE		2
13	577 40 61-01	STIFFENING PLATE		1
14	576 12 38-01	ROPS		1



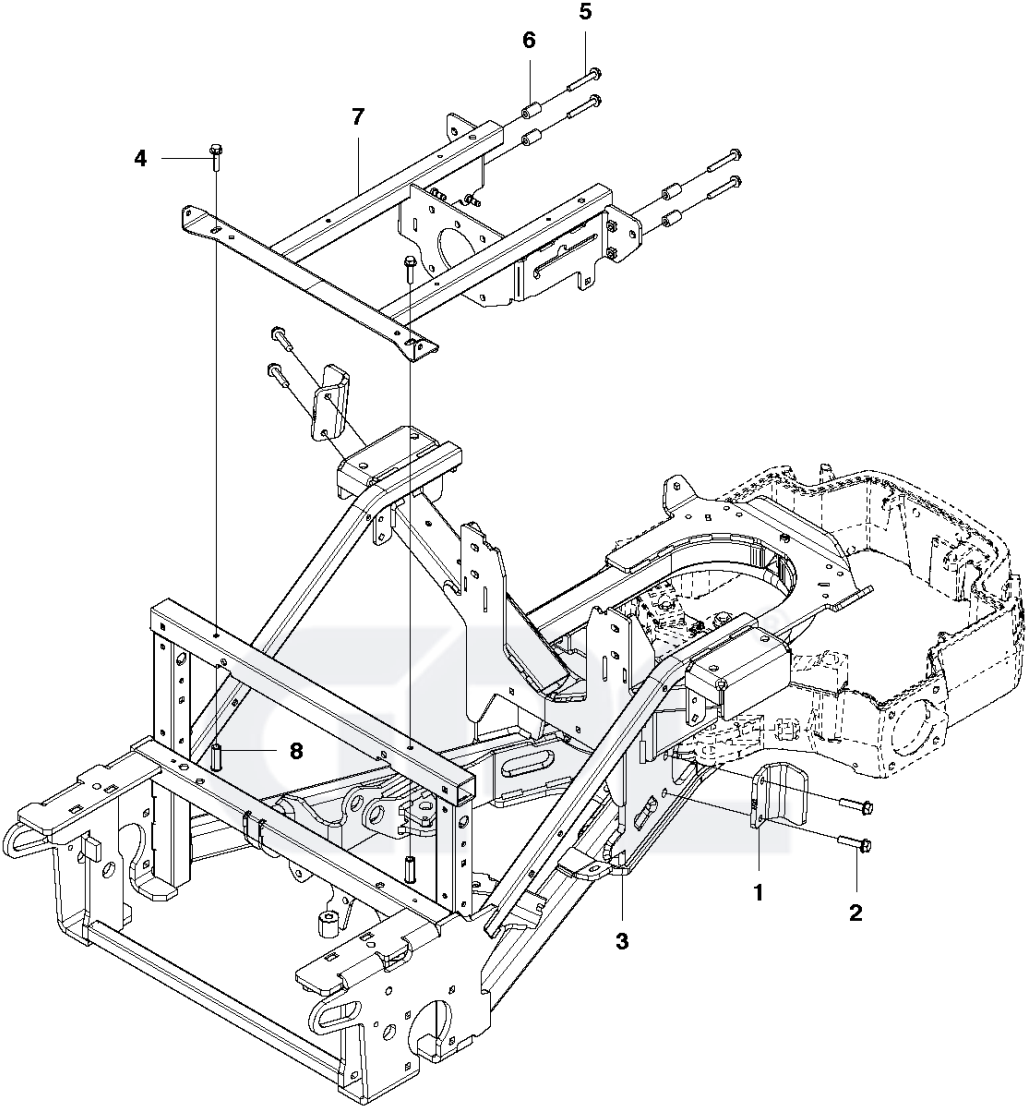
H3 P 525D CHASSI



Ref	Part No	Description	Remark	QTY KIT
1	544 25 41-01	PLUG		2
2	584 63 07-01	REPAIR KIT		1
3	732 25 22-01	HEXAGON LOCKING NUT		1
4	581 82 83-01	DUST COVER		1
5	577 61 45-01	WASHER		1
6	576 65 48-07	SCREW EHHFM		1
7	577 61 46-01	FIXING WASHER		1
8	576 11 00-01	LINK RODS		1
9	580 70 36-01	SCREW EHHM		1
10	576 64 57-05	NUT FLANGE		1
11	577 37 67-01	SCREW EHHM		1
12	579 24 97-01	PIVOT		1
13	583 86 12-01	WASHER		1
14	578 24 64-01	SLEEVE		1
15	579 49 05-01	PIVOT		1
16	579 16 51-01	TUBE		1
17	732 21 18-01	LOCK NUT		1
18	579 41 60-01	SLEEVE		1
19	579 59 54-01	WEAR PLATE		2
20	506 57 01-06	SCREW EHHFM		4
21	576 47 42-01	PLATE		4
22	580 64 31-01	INSERT		2
23	535 42 38-03	SCREW RSQM		1
24	580 72 30-01	SLEEVE		1
25	576 27 17-01	BEARING		1
26	576 46 80-01	LOCK RING		1
27	544 36 24-01	SCREW		4
28	585 56 30-02	WEAR PLATE		2



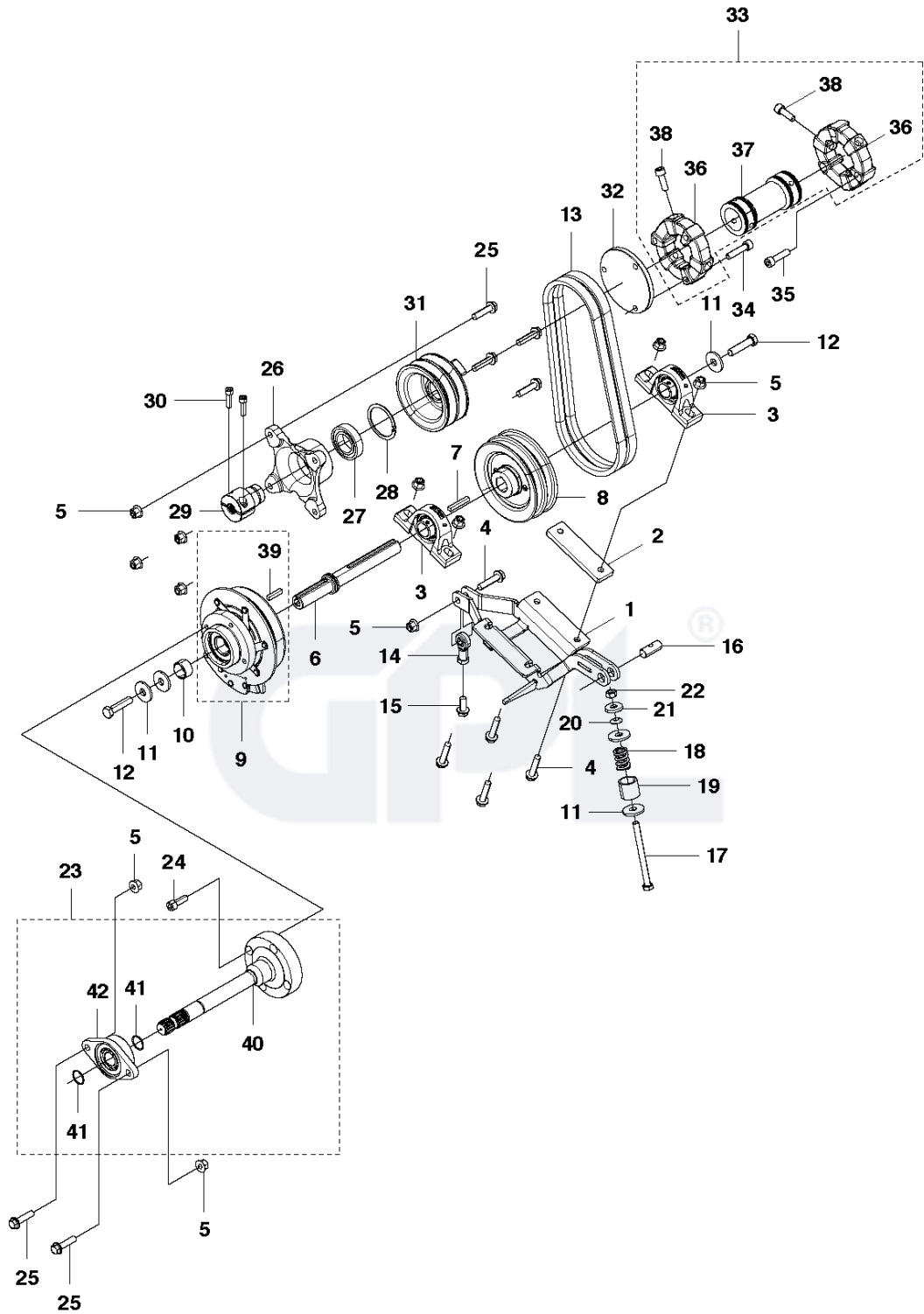
H2 P 525D
CHASSI



Ref	Part No	Description	Remark	QTY KIT
1	579 62 23-01	CONTACT PLATE		2
2	506 67 54-08	COLLAR SCREW		4
3	579 43 19-01	FRAME		1
4	506 57 01-06	SCREW EHHFM		2
5	506 57 01-07	SCREW EHHFM		4
6	506 99 20-01	PIPE		4
7	576 00 64-02	BRACKET		1
8	576 43 42-01	HEXAGON NUT		2



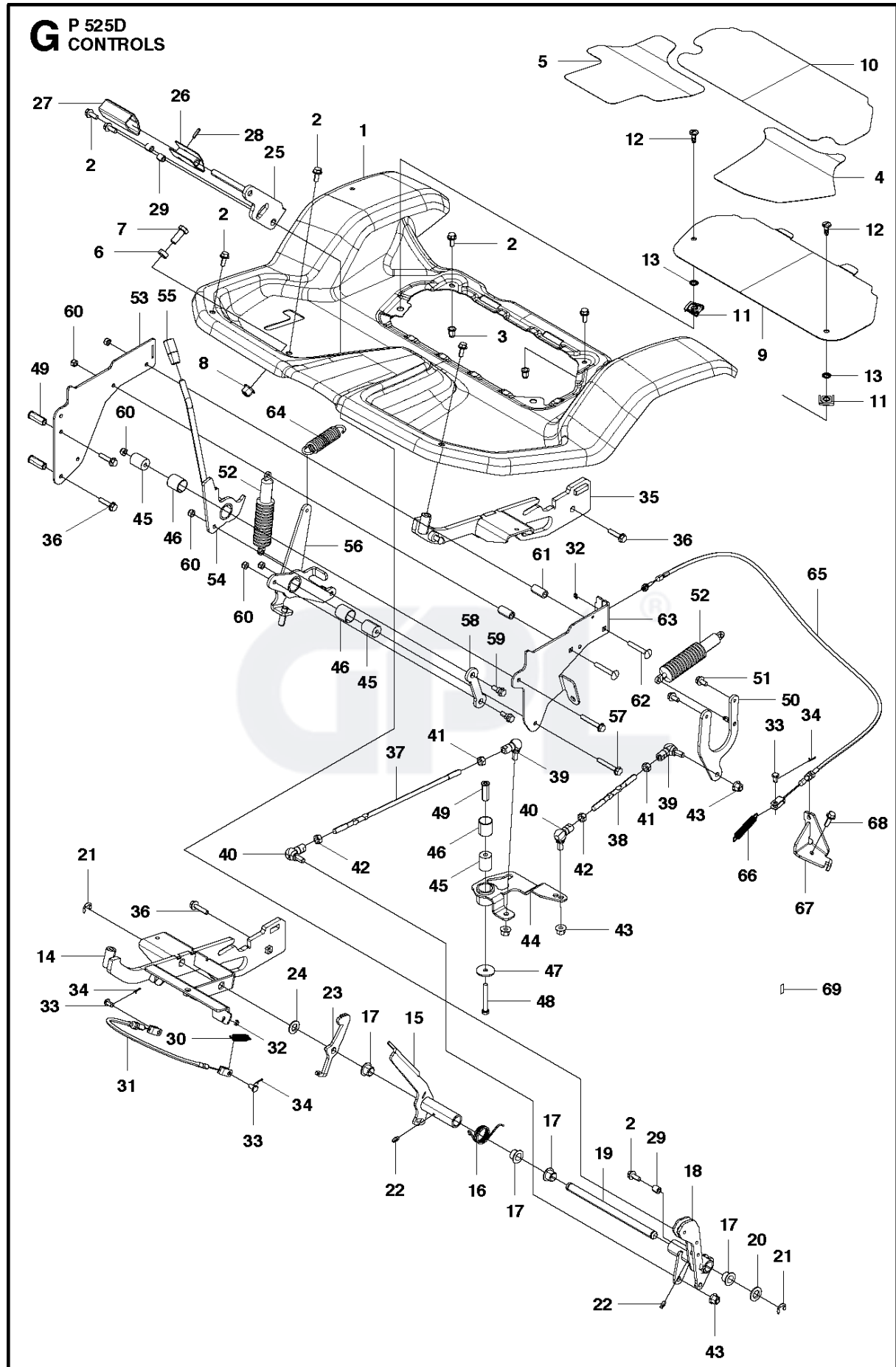
K P 525D
CLUTCH



CLUTCH

P525 D, 966607401, serial no. 20120100001 -> 20143999999

Ref	Part No	Description	Remark	QTY KIT
1	576 18 60-01	BEARING CAGE		1
2	510 14 60-01	DISTANCE		1
3	506 04 36-01	BEARING UNIT		2
4	506 67 54-03	SCREW EHHFM		5
5	576 64 57-05	NUT FLANGE		11
6	579 29 62-01	SHAFT		1
7	504 81 35-01	WEDGE		1
8	506 00 96-01	PULLEY		1
9	579 70 27-01	CLUTCH		1
10	579 65 77-01	SLEEVE		1
11	535 42 92-01	WASHER		5
12	725 25 42-86	SCREW EHHM		2
13	506 00 75-01	BELT		1
14	506 95 17-01	ROD END		1
15	506 67 54-01	SCREW EHHFM		1
16	510 16 76-01	PEN		1
17	725 25 15-71	SCREW EHHM		1
18	510 17 07-01	SPRING		1
19	522 94 69-01	SLEEVE		1
20	576 47 35-02	WASHER		1
21	576 47 35-03	WASHER		1
22	731 23 20-51	HEXAGON NUT		1
23	576 99 38-01	SHAFT ASSY		1
24	502 23 36-01	SCREW IHSCM		4
25	506 67 54-02	SCREW EHHFM		6
26	506 04 32-01	BEARING BOX		1
27	522 66 44-01	BALL BEARING		1
28	522 66 43-01	CIRCLIP		1
29	506 04 34-01	SHAFT		1
30	725 54 55-01	SCREW IHSCM		2
31	505 02 04-01	PULLEY		1
32	515 98 35-01	SPACER		1
33	515 98 32-02	CLUTCH ASSY		1
34	502 23 36-02	SCREW IHSCM		3
35	576 42 67-02	SCREW IHSCM		3
36	515 98 34-01	RUBBER RING		2
37	515 98 33-02	SHAFT		1
38	725 54 95-01	SCREW IHSCM		6
39	580 28 45-01	PARALLEL KEY		1
40	576 18 87-01	SHAFT ASSY		1
41	576 47 36-01	CLIP		2
42	544 19 10-01	BEARING UNIT		1



CONTROLS

P525 D, 966607401, serial no. 20120100001 -> 20143999999

Ref	Part No	Description	Remark	QTY KIT
1	575 75 03-01	SHEET		1
2	506 57 01-04	SCREW EHHFM		8
3	506 91 62-01	BLIND RIVET NUT		2
4	579 42 51-01	GRIP		1
5	579 42 50-01	GRIP		1
6	576 99 87-01	SLEEVE		1
7	725 25 36-71	SCREW EHHM		1
8	576 64 57-06	NUT FLANGE		1
9	579 41 08-01	LID		1
10	579 42 52-01	GRIP		1
11	575 88 21-01	RECEPTACLE		2
12	575 88 19-01	STUD		2
13	575 88 20-01	RETAINER		2
14	576 35 23-01	STAY		1
15	579 44 17-01	PEDAL		1
16	576 47 51-01	SPRING		1
17	506 55 43-01	BEARING		4
18	586 17 50-01	PEDAL ARM		1
19	576 34 89-01	SHAFT		1
20	734 11 86-01	WASHER		1
21	735 31 18-20	E-CLIP		2
22	738 88 10-01	LUBRICATION NIPPLE		2
23	586 16 95-01	LEVER		1
24	734 11 78-01	WASHER		1
25	579 29 68-01	PEDAL PLATE ASSY		1
26	535 47 99-01	FOOTPLATE		1
27	506 50 62-01	PEDAL RUBBER		1
28	721 43 09-70	SPRING PIN		1
29	579 29 44-01	SLEEVE		3
30	506 53 56-03	DRAW SPRING		1
31	576 35 22-01	WIRE ASSY		1
32	735 31 09-20	HARNESS		2
33	721 83 99-01	CLEVIS PIN		3
34	721 61 52-01	SPLIT PIN		3
35	579 37 00-01	STAY		1
36	506 57 01-06	SCREW EHHFM		4
37	576 29 14-02	PUSH ROD		1
38	576 29 14-01	PUSH ROD		1
39	506 78 99-01	VINKELLÄNK DIN 71802		2
40	506 78 99-02	VINKELLÄNK DIN 71802		2
41	506 89 76-01	NUT		2
42	731 23 20-51	HEXAGON NUT		2
43	576 64 57-05	NUT FLANGE		4
44	579 44 09-01	CONTROL LEVER		1
45	576 35 15-01	SLEEVE		3
46	506 98 61-01	GLIDLAGER		3
47	576 35 16-01	WASHER		1
48	725 24 64-51	SCREW EHHM		1
49	576 43 42-01	HEXAGON NUT		3
50	579 44 89-01	CONTROL LEVER		1
51	506 57 01-03	SCREW EHHFM		2
52	506 93 83-01	DAMPING PIECE		2
53	579 30 36-01	BRACKET		1
54	579 32 54-01	ARM		1
55	521 90 35-01	KNOB		1
56	579 32 55-01	LINK ARM		1
57	506 57 01-07	SCREW EHHFM		2
58	579 30 38-01	SHEET		1
59	506 59 74-01	SCREW		2
60	732 21 18-01	LOCK NUT		6
61	505 45 03-01	TUBE		2
62	535 42 38-02	SCREW RSQM		2
63	579 30 37-01	COVER		1
64	579 30 40-01	SPRING		1

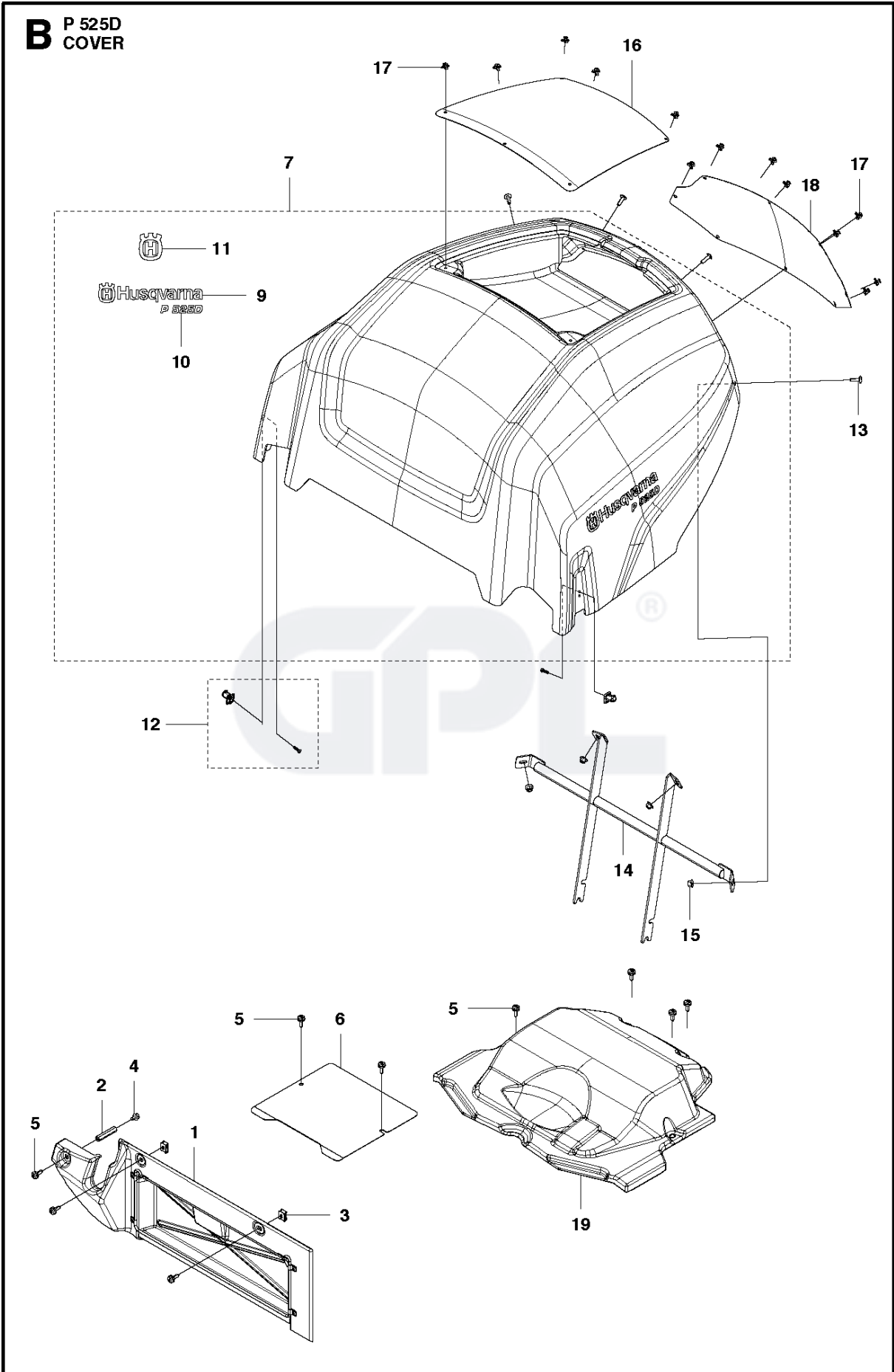
CONTROLS

P525 D, 966607401, serial no. 20120100001 -> 20143999999

Ref	Part No	Description	Remark	QTY KIT
65	579 32 87-01	WIRE ASSY		1
66	544 13 36-01	DRAW SPRING		1
67	579 30 41-01	BRACKET		1
68	506 57 01-05	SCREW EHHFM		1
69	580 66 78-01	LABEL		1



B P 525D
COVER



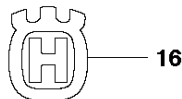
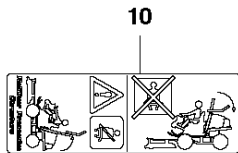
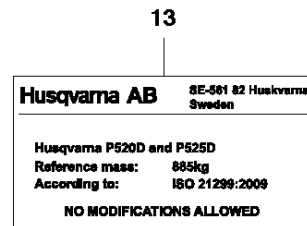
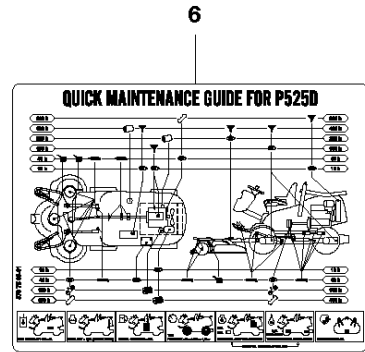
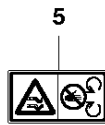
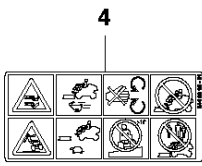
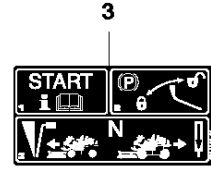
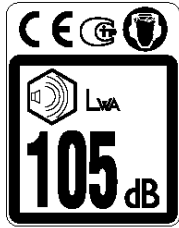
COVER

P525 D, 966607401, serial no. 20120100001 -> 20143999999

Ref	Part No	Description	Remark	QTY	KIT
1	579 63 72-01	COVER KIT		1	
2	576 68 61-03	HEXAGON NUT		1	
3	535 42 91-01	SPRING NUT		2	
4	725 23 64-61	SCREW EHHFT		1	
5	574 85 62-02	SCREW		9	
6	576 77 59-01	SHEET		1	
7	579 62 65-01	ENGINE HOOD		1	
9	577 46 90-01	DECAL		2	7
10	579 55 81-01	DECAL		2	7
11	574 38 21-01	DECAL		1	7
12	577 22 97-01	KEEPER		2	
13	535 42 58-02	SCREW IHPANM		4	
14	576 23 75-01	HINGE		1	
15	576 64 57-03	NUT FLANGE		4	
16	576 25 06-01	GRID		1	
17	577 01 39-01	RIVET		13	
18	576 25 07-01	GRID		1	
19	576 47 37-01	COVER		1	



N P 525D
DECALS



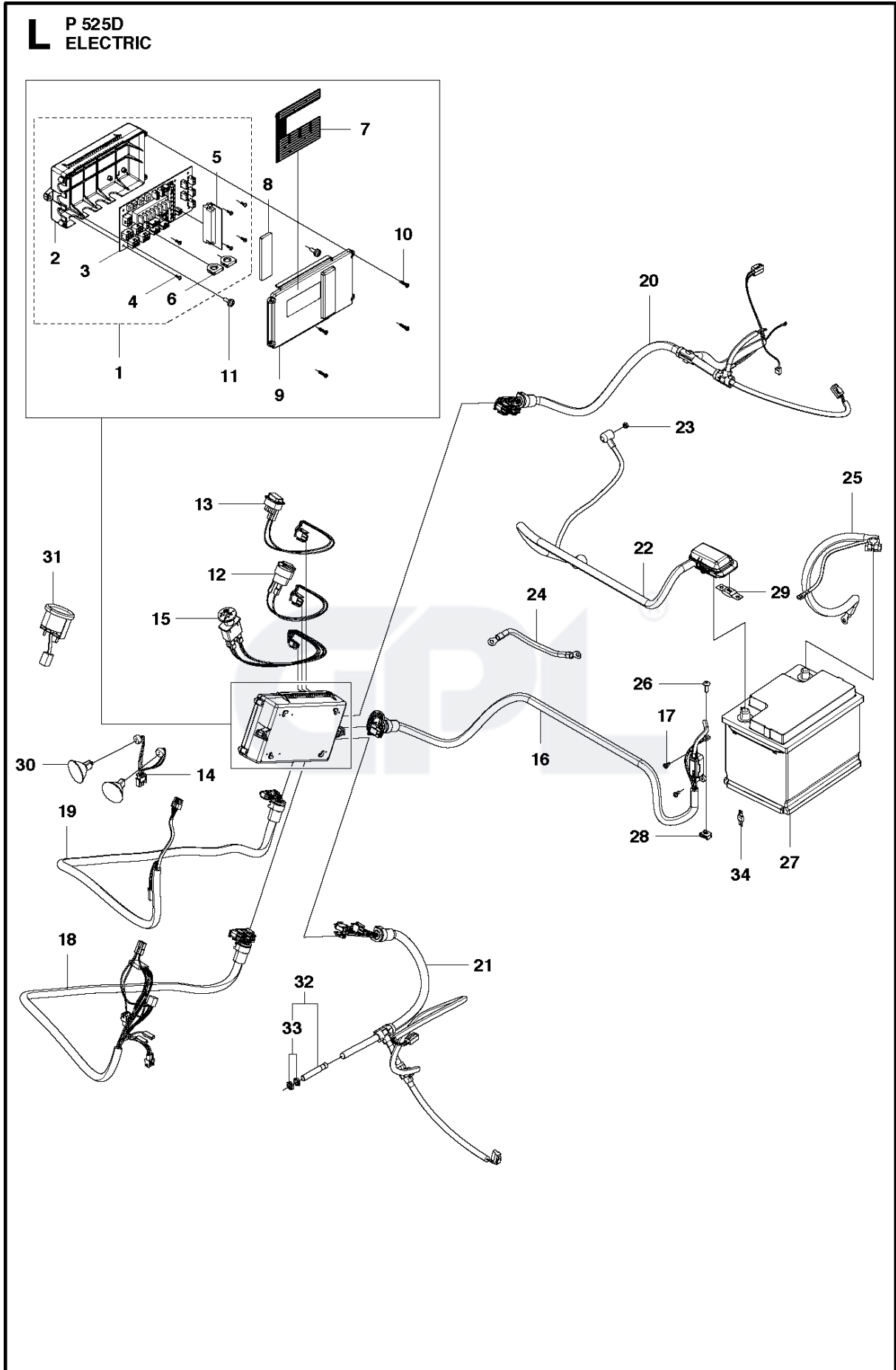
 **Husqvarna** — 14
P 525D — 15

DECALS

P525 D, 966607401, serial no. 20120100001 -> 20143999999

Ref	Part No	Description	Remark	QTY KIT
1	505 21 77-03	LABEL		1
2	506 58 45-01	LABEL		1
3	522 44 63-01	LABEL		1
4	544 39 16-01	LABEL WARNING		1
5	574 51 00-01	DECAL		2
6	579 75 65-01	DECAL		1
7	576 97 65-01	DECAL		1
8	576 97 60-01	DECAL		1
9	505 51 66-01	LABEL		1
10	521 93 90-01	LABEL		1
11	580 71 28-01	LABEL		1
12	580 71 29-01	LABEL		2
13	580 76 44-01	LABEL		1
14	577 46 90-01	DECAL		2
15	579 55 81-01	DECAL		2
16	574 38 21-01	DECAL		1

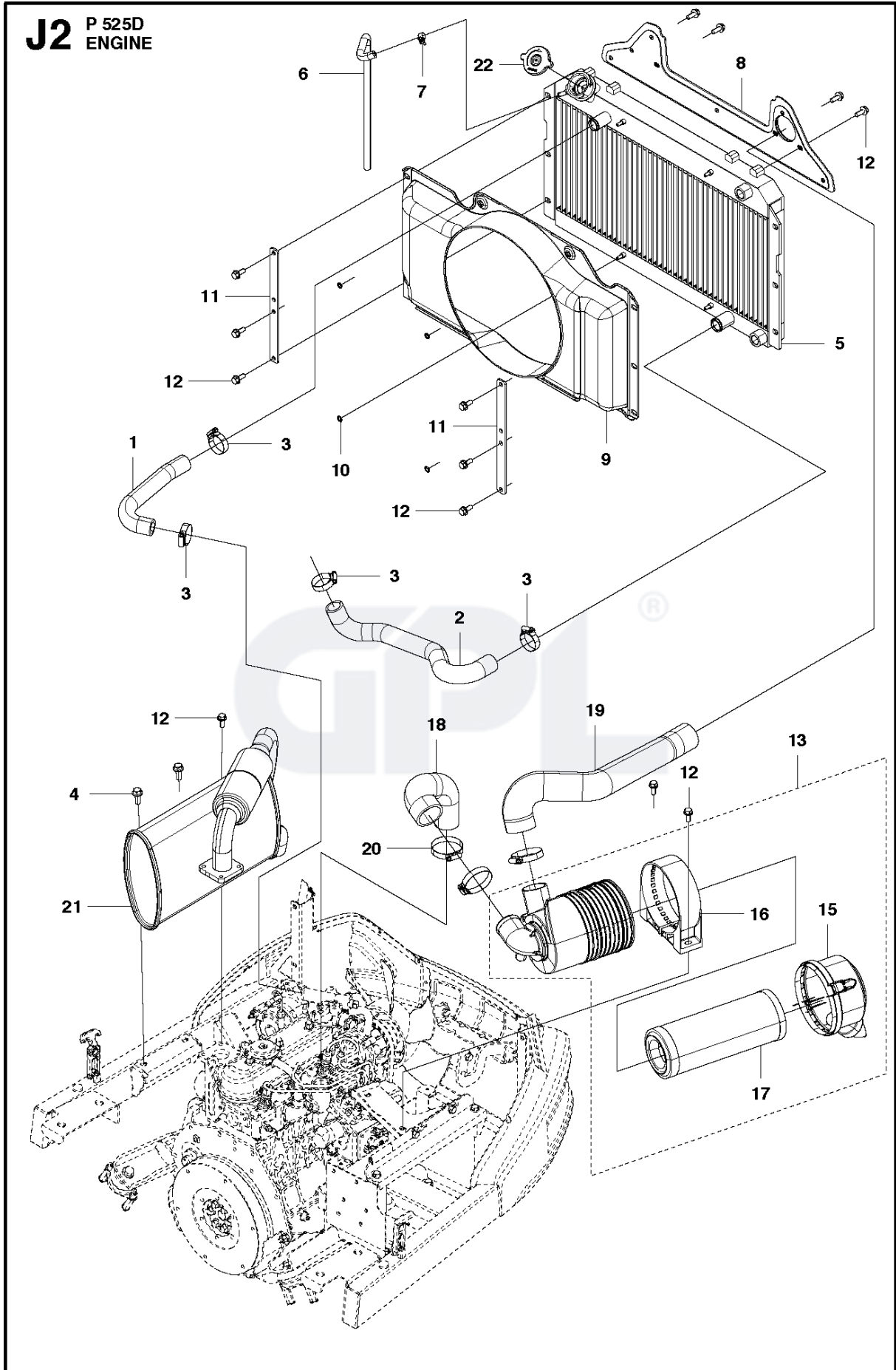




ELECTRICAL

P525 D, 966607401, serial no. 20120100001 -> 20143999999

Ref	Part No	Description	Remark	QTY	KIT
1	579 54 65-01	ELECTRONIC BOX		1	
2	576 28 57-01	ELECTRIC BOX		1	1
3	579 29 38-01	CONTROL BOARD		1	1
4	535 13 03-10	SCREW ITPANT		6	1
5	579 29 39-01	CONTROL UNIT		1	1
6	544 38 15-01	BUSHING		2	1
7	576 97 64-01	DECAL		1	
8	577 57 42-01	RUBBER		1	
9	576 28 58-01	LID		1	
10	577 90 34-01	SCREW CRPANT		4	
11	574 85 62-02	SCREW		2	
12	576 46 83-01	WIRING		1	
13	576 46 84-01	SWITCH		1	
14	576 46 85-01	WIRING		1	
15	576 46 86-01	SWITCH		1	
16	576 46 87-01	WIRING		1	
17	544 29 13-02	SCREW ITPANM		2	
18	576 46 88-01	WIRING		1	
19	576 46 89-01	WIRING		1	
20	579 05 88-01	WIRING		1	
21	576 46 91-01	WIRING		1	
22	576 47 20-01	WIRING		1	
23	732 21 16-01	NUT		1	
24	544 32 37-01	GROUND CABLE		1	
25	577 43 20-01	WIRING		1	
26	535 42 58-02	SCREW IHANM		1	
27	576 95 82-01	BATTERY		1	
28	535 42 91-01	SPRING NUT		1	
29	544 36 96-01	FUSE		1	
30	535 44 68-01	LAMP		2	
31	576 95 53-01	GAUGE		1	
32	522 61 25-01	SENSOR		1	
33	522 61 76-01	NUT		1	32
34	501 96 55-01	FUSE		1	

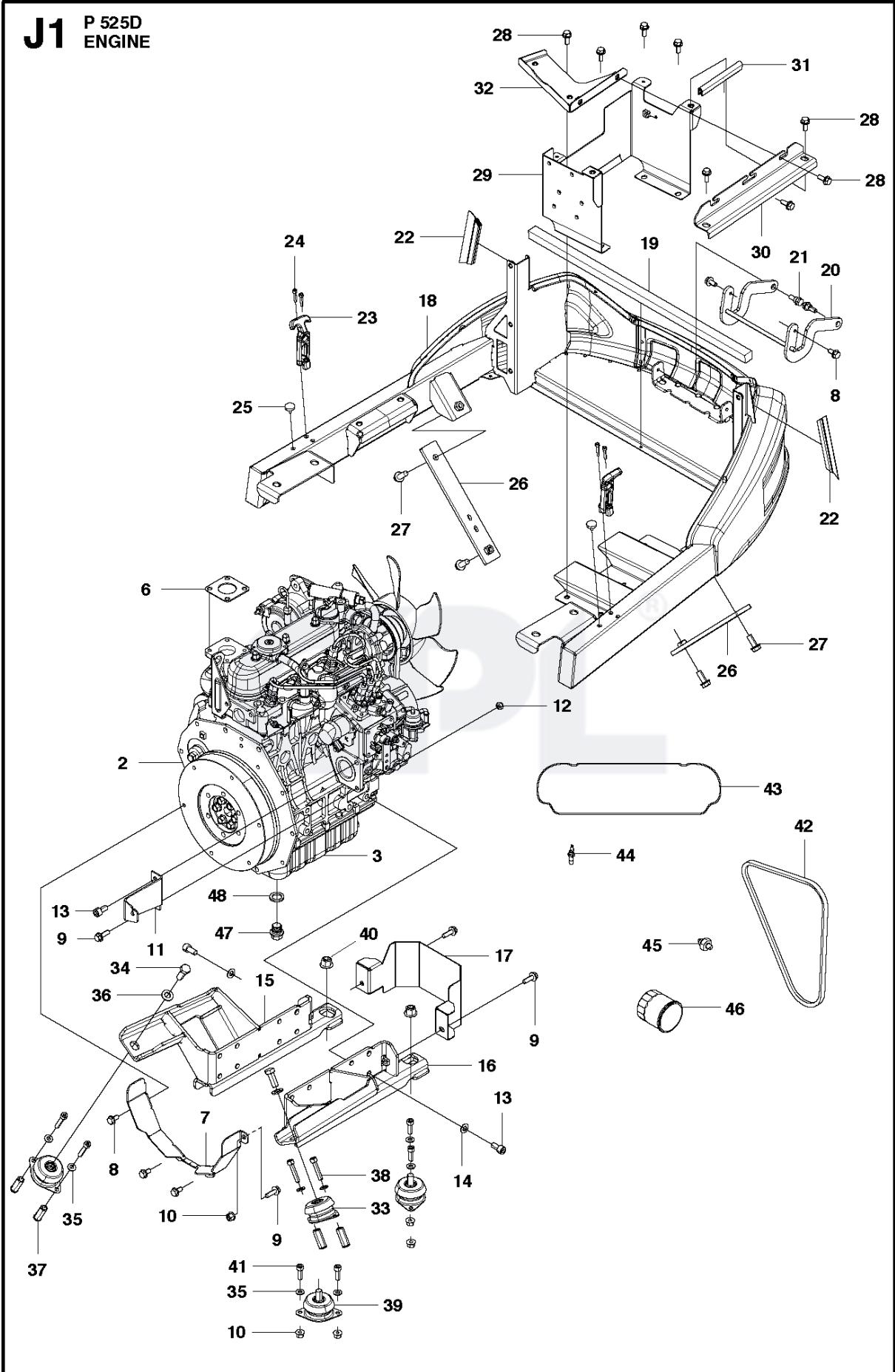


ENGINE

P525 D, 966607401, serial no. 20120100001 -> 20143999999

Ref	Part No	Description	Remark	QTY	KIT
1	578 93 60-01	HOSE		1	
2	578 93 61-01	HOSE		1	
3	544 20 27-02	HOSE CLAMP		4	
4	506 67 54-01	SCREW EHHFM		2	
5	579 41 63-01	COOLER		1	
6	544 28 25-06	FUEL HOSE		1	
7	544 28 26-01	HOSE CLAMP		1	
8	579 58 20-01	WALL		1	
9	578 93 62-01	SHROUD		1	
10	506 96 36-01	WASHER		4	
11	577 80 78-01	PLATE		2	
12	506 57 01-04	SCREW EHHFM		16	
13	579 15 63-01	AIR CLEANER		1	
15	579 15 65-01	AIR CLEANER		1	13
16	579 15 66-01	AIR CLEANER		1	13
17	579 15 67-01	AIR CLEANER		1	13
18	578 93 58-01	HOSE		1	
19	578 93 59-01	HOSE		1	
20	544 20 27-03	HOSE CLAMP		3	
21	579 15 01-01	MUFFLER		1	
22	577 09 35-01	HUB CAP		1	



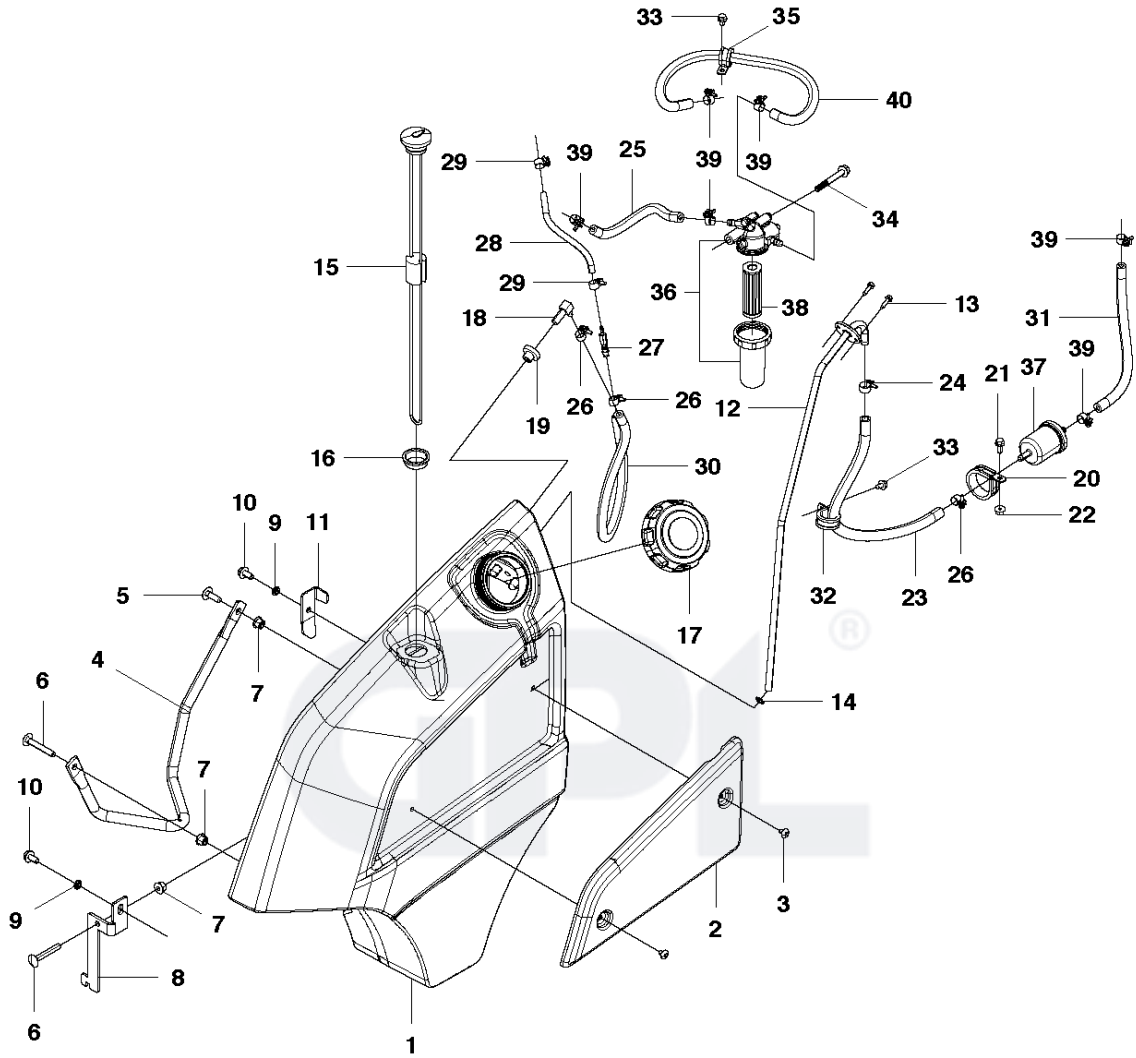


ENGINE

P525 D, 966607401, serial no. 20120100001 -> 20143999999

Ref	Part No	Description	Remark	QTY KIT
2	579 54 36-01	ENGINE		1
3	501 08 16-01	ENGINE	Only the oil pan	1
6	576 97 25-01	GASKET		1
7	579 57 81-01	PROTECTIVE PLATE		1
8	506 57 01-03	SCREW EHHFM		5
9	506 57 01-05	SCREW EHHFM		4
10	576 64 57-04	NUT FLANGE		5
11	578 93 53-01	BRACKET		1
12	732 21 18-01	LOCK NUT		1
13	576 42 67-01	SCREW IHSCM		17
14	734 11 72-01	WASHER		16
15	578 27 02-01	BRACKET		1
16	578 27 02-02	BRACKET		1
17	579 40 58-01	COVER		1
18	575 74 99-01	ENGINE FRAME		1
19	576 99 04-04	GASKET		1
20	576 46 45-01	HINGE		1
21	506 59 74-01	SCREW		2
22	576 64 05-01	SEALING STRIP		2
23	576 43 33-01	LATCH		2
24	725 53 33-65	SCREW IHSCM		4
25	579 48 85-01	ANTIVIBRATION ELEMENT		2
26	579 16 13-01	STAY		2
27	506 67 54-01	SCREW EHHFM		4
28	506 57 01-04	SCREW EHHFM		8
29	578 92 17-01	SUPPORT		1
30	578 92 12-01	BRACKET		1
31	578 31 03-02	SEALING STRIP		1
32	578 92 14-01	PLATE		1
33	576 43 32-01	ANTIVIBRATION ELEMENT		2
34	725 25 36-71	SCREW EHHM		2
35	734 11 64-01	WASHER		8
36	734 11 78-01	WASHER		2
37	576 43 42-01	HEXAGON NUT		4
38	725 54 59-01	SCREW IHSCM		4
39	578 18 36-01	ANTIVIBRATION ELEMENT		2
40	576 64 57-06	NUT FLANGE		2
41	725 54 53-01	SCREW IHSCM		4
42	578 00 99-02	BELT		1
43	578 00 97-02	GASKET		1
44	578 01 02-01	SENSOR		1
45	578 01 03-01	SWITCH		1
46	578 00 98-02	OIL FILTER		1
47	578 00 95-02	PLUG		1
48	578 00 96-02	GASKET		1

C P 525D
FUEL SYSTEM

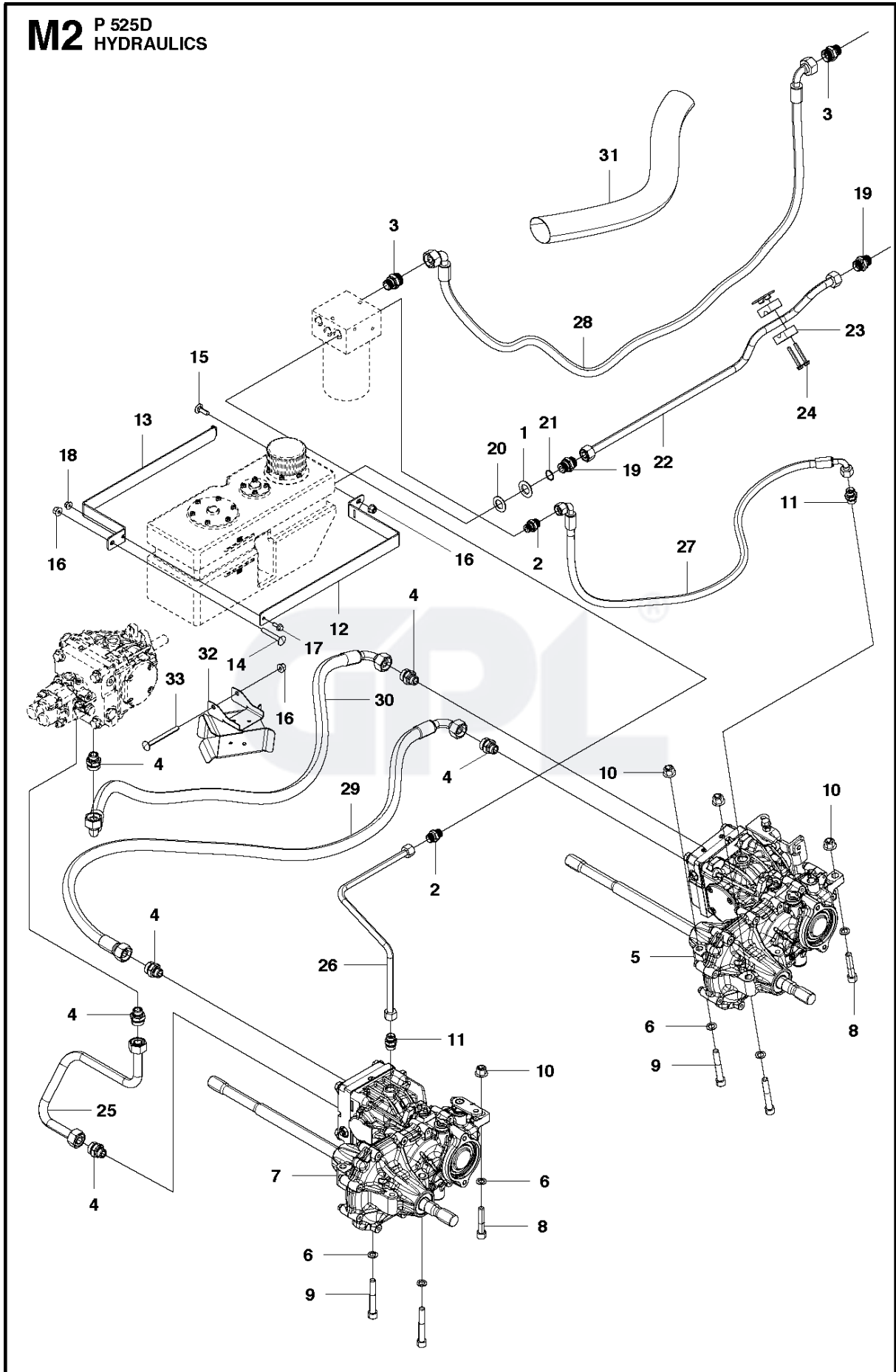


FUEL SYSTEM

P525 D, 966607401, serial no. 20120100001 -> 20143999999

Ref	Part No	Description	Remark	QTY KIT
1	575 71 87-01	FUEL TANK		1
2	576 14 28-01	COVER		1
3	535 42 58-01	SCREW IHPANM		2
4	579 57 01-01	TUBE		1
5	535 42 38-01	SCREW RSQM		1
6	535 42 38-02	SCREW RSQM		2
7	576 64 57-04	NUT FLANGE		3
8	576 05 59-01	BRACKET		1
9	503 23 04-03	WASHER		2
10	506 57 01-03	SCREW EHHFM		2
11	576 12 02-01	BRACKET		1
12	576 48 12-01	CONNECTOR		1
13	535 41 56-19	SCREW		2
14	740 48 12-02	O-RING		1
15	575 96 14-01	GAUGE		1
16	576 48 36-01	GROMMET		1
17	539 10 63-30	TANK CAP		1
18	539 10 52-44	JOINT		1
19	539 10 52-45	GROMMET		1
20	574 53 12-02	HOSE CLAMP		1
21	725 23 68-61	SCREW EHHFT		1
22	576 64 57-03	NUT FLANGE		1
23	544 28 25-10	FUEL HOSE		1
24	544 28 26-03	HOSE CLAMP		1
25	585 51 05-01	FUEL HOSE		1
26	544 28 26-01	HOSE CLAMP		3
27	544 36 92-01	CONNECTION		1
28	544 28 25-05	FUEL HOSE		1
29	544 28 26-02	HOSE CLAMP		2
30	544 28 25-13	FUEL HOSE		2
31	585 51 05-02	FUEL HOSE		1
32	574 53 12-01	HOSE CLAMP		1
33	725 23 64-61	SCREW EHHFT		2
34	506 57 01-08	SCREW EHHFM		1
35	574 53 12-03	HOSE CLAMP		1
36	576 95 57-01	FUEL FILTER		1
37	576 95 55-01	PREFILTER		1
38	578 01 01-01	FILTER		1
39	544 28 26-05	HOSE CLAMP		6
40	585 51 05-04	FUEL HOSE		1

M2 P 525D
HYDRAULICS

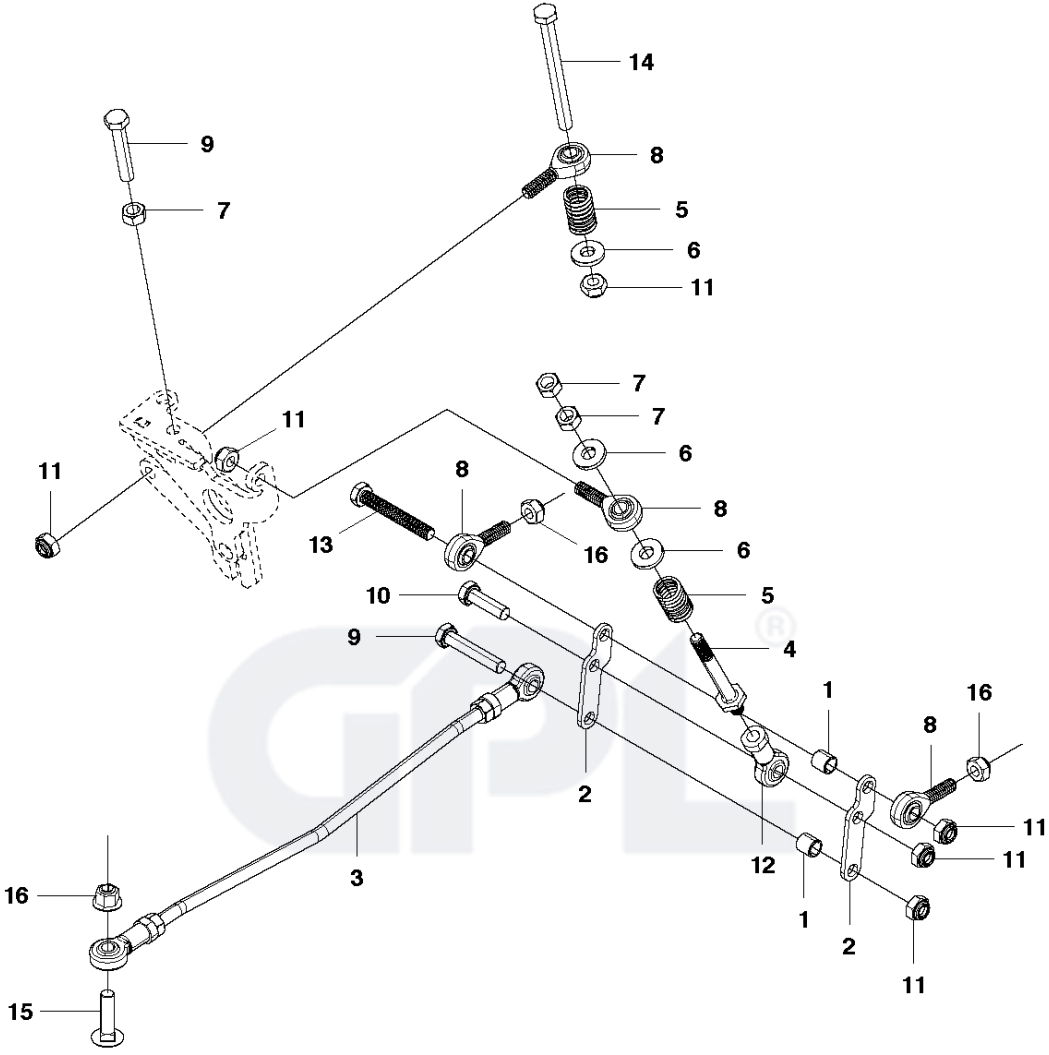


HYDRAULICS

P525 D, 966607401, serial no. 20120100001 -> 20143999999

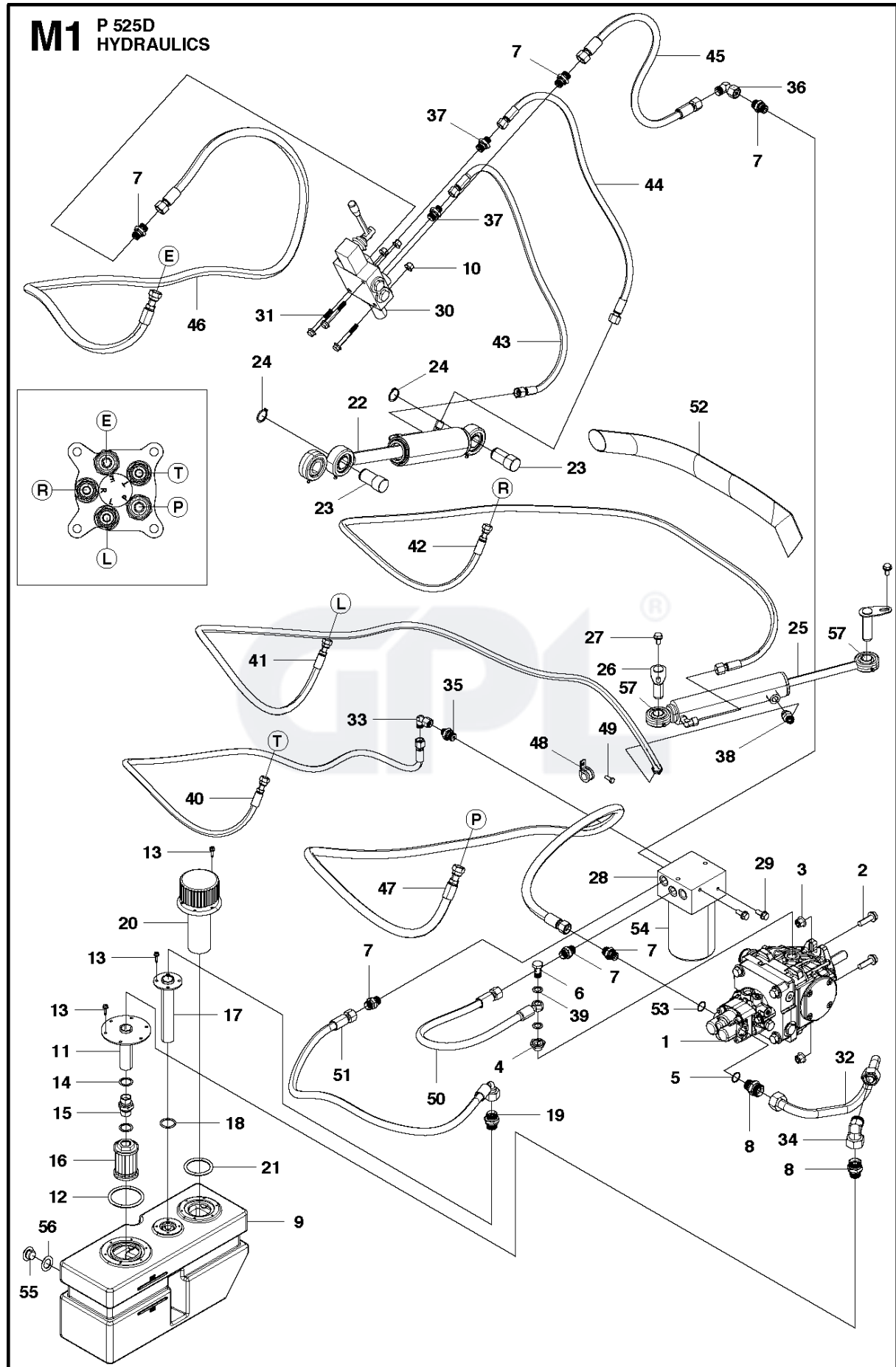
Ref	Part No	Description	Remark	QTY KIT
1	506 77 57-01	WASHER		1
2	575 88 13-04	CONNECTOR		2
3	575 88 13-01	CONNECTOR		2
4	575 88 14-01	CONNECTOR		6
5	579 40 89-01	TRANSMISSION		1
6	734 11 77-71	WASHER		6
7	579 40 90-01	TRANSMISSION		1
8	544 25 63-03	SCREW IHSCM		4
9	544 25 63-01	SCREW IHSCM		2
10	576 64 57-06	NUT FLANGE		4
11	575 88 14-02	CONNECTOR		2
12	575 87 12-01	BRACKET		1
13	575 87 13-01	BRACKET		1
14	535 42 38-02	SCREW RSQM		1
15	535 42 38-01	SCREW RSQM		1
16	576 64 57-04	NUT FLANGE		3
17	725 23 68-51	SCREW		1
18	576 64 57-03	NUT FLANGE		1
19	575 88 13-03	CONNECTOR		2
20	522 47 13-01	WASHER		1
21	740 42 17-00	O-RING		1
22	579 70 68-01	HYDRAULIC PIPE		1
23	579 73 61-01	PIPE CLAMP		1
24	535 47 52-45	SCREW EHHFM		2
25	579 66 17-01	HYDRAULIC PIPE		1
26	575 87 59-01	HYDRAULIC PIPE		1
27	575 87 46-02	HYDRAULIC HOSE		1
28	575 87 48-02	HYDRAULIC HOSE		1
29	575 87 44-01	HYDRAULIC HOSE		1
30	575 87 45-02	HYDRAULIC HOSE		1
31	505 45 38-02	HOSE GUARD		1
32	579 58 25-02	TUBE		1
33	727 64 69-51	SCREW RSQM		1

M3 P 525D
HYDRAULICS



Ref	Part No	Description	Remark	QTY KIT
1	577 40 03-01	BUSHING		2
2	577 40 10-01	PLATE		2
3	577 38 86-01	PULL ROD		1
4	577 39 08-01	CONTROL SHAFT	NORMAL THREADS	1
4	585 44 84-01	CONTROL SHAFT	FINE THREADS	1
5	577 39 06-01	SPRING		2
6	576 82 31-01	WASHER		3
7	731 23 20-01	HEXAGON NUT	NORMAL THREADS	2
7	586 05 01-01	NUT	FINE THREADS	2
8	577 40 85-01	ROD END		4
9	725 25 02-71	SCREW EHHM		2
10	725 24 97-51	SCREW		1
11	732 21 20-51	NUT		6
12	506 95 17-01	ROD END		1
13	577 37 67-01	SCREW EHHM		1
14	725 25 13-51	SCREW EHHM		1
15	727 64 99-51	SCREW		1
16	576 64 57-05	NUT FLANGE		3



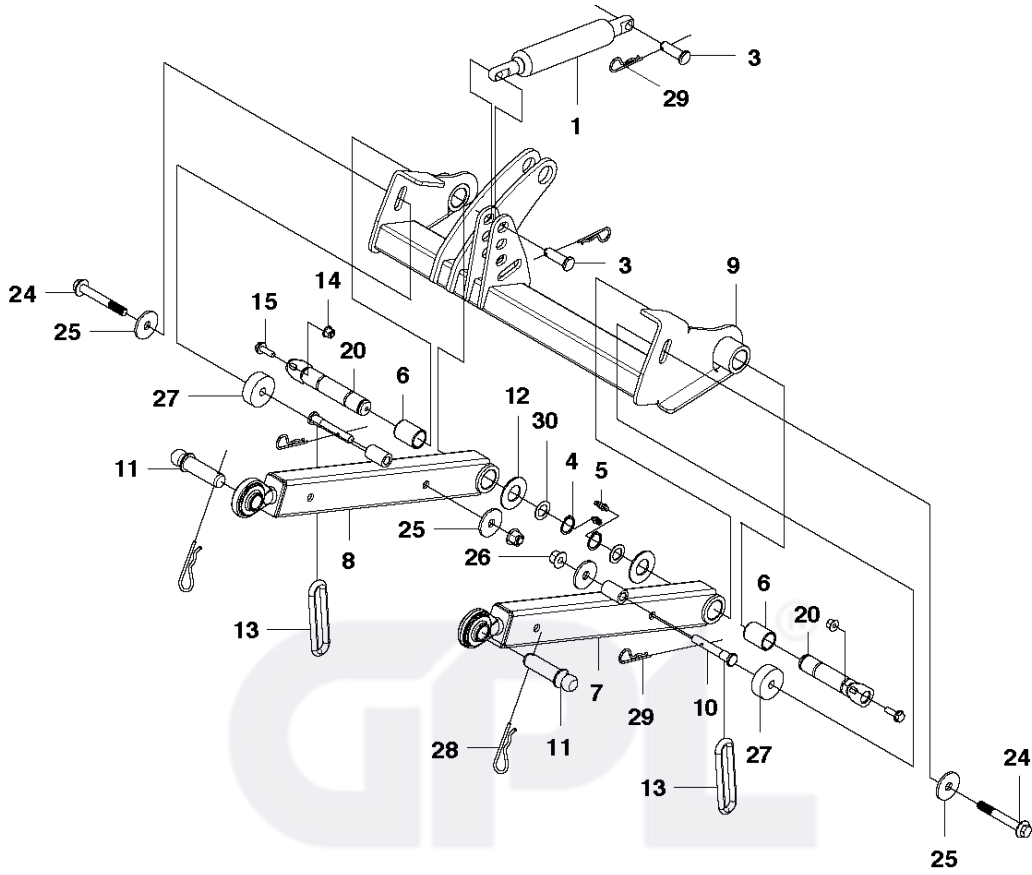


HYDRAULICS

P525 D, 966607401, serial no. 20120100001 -> 20143999999

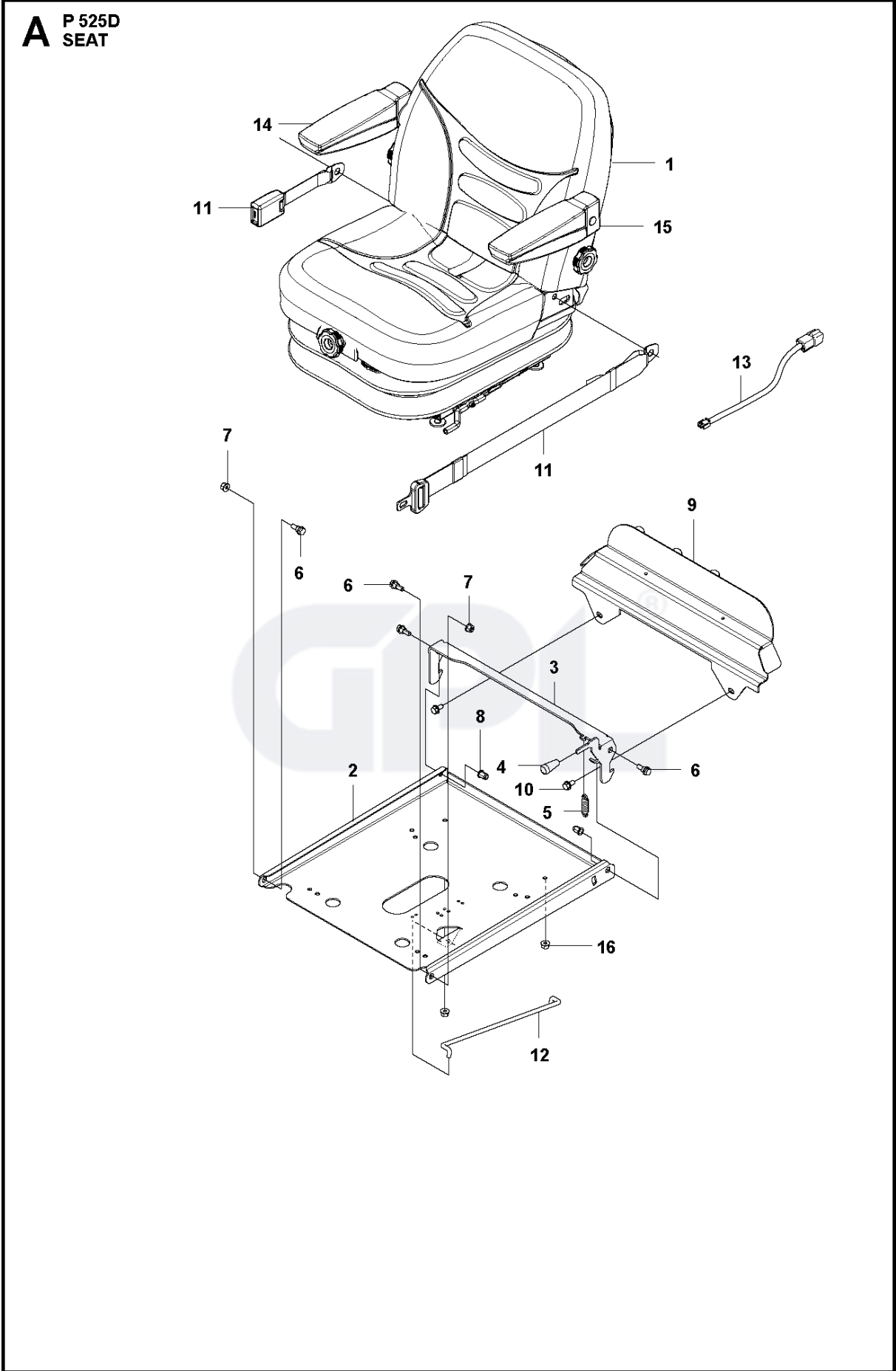
Ref	Part No	Description	Remark	QTY KIT
1	579 40 88-01	HYDRAULIC PUMP		1
2	506 67 54-08	COLLAR SCREW		2
3	576 64 57-05	NUT FLANGE		3
4	575 88 65-01	PIPE FITTING		1
5	740 42 17-00	O-RING		1
6	575 88 64-01	BOLT		1
7	575 88 13-04	CONNECTOR		6
8	575 88 13-01	CONNECTOR		2
9	576 95 96-01	HYDRAULIC TANK ASSY		1
10	576 64 57-04	NUT FLANGE		3
11	575 87 08-01	PIPE		1
12	544 04 65-05	O-RING		1
13	535 41 56-19	SCREW		16
14	544 01 00-01	GASKET		2
15	544 00 97-01	PIPE FITTING		1
16	544 00 19-01	FILTER		1
17	575 87 09-01	PIPE		1
18	544 04 65-06	O-RING		1
19	575 88 13-03	CONNECTOR		1
20	544 17 64-01	TANK CAP		1
21	544 04 65-03	O-RING		1
22	579 43 81-01	HYDRAULIC CYLINDER		1
23	576 30 85-01	COTTER		2
24	735 31 26-00	CIRCLIP		2
25	579 44 14-01	HYDRAULIC CYLINDER		1
26	576 28 64-01	SHAFT ASSY		2
27	506 57 01-03	SCREW EHHFM		2
28	576 03 65-01	FILTER UNIT		1
29	506 57 01-04	SCREW EHHFM		2
30	575 88 66-01	VALVE		1
31	506 57 01-08	SCREW EHHFM		3
32	579 27 00-01	HYDRAULIC PIPE		1
33	575 88 15-01	CONNECTOR		1
34	575 88 15-02	CONNECTOR		1
35	575 88 13-02	CONNECTOR		2
36	575 88 15-03	CONDUCTOR		1
37	576 44 40-01	PIPE FITTING		1
38	579 73 76-01	PIPE FITTING		1
39	544 01 00-04	GASKET		2
40	575 87 50-02	HYDRAULIC HOSE		1
41	575 87 52-01	HYDRAULIC HOSE		1
42	575 87 53-02	HYDRAULIC HOSE		1
43	575 87 56-01	HYDRAULIC HOSE		1
44	575 87 55-01	HYDRAULIC HOSE		1
45	575 87 58-01	HYDRAULIC HOSE		1
46	575 87 54-01	HYDRAULIC HOSE		1
47	575 87 51-01	HYDRAULIC HOSE		1
48	574 53 12-03	HOSE CLAMP		1
49	725 23 64-61	SCREW EHHFT		1
50	575 87 47-01	HYDRAULIC HOSE		1
51	576 63 21-02	HYDRAULIC HOSE		1
52	505 45 38-04	HOSE GUARD		1
53	740 42 13-00	O-RING		1
54	575 88 68-01	FILTER		1
55	522 47 12-01	OIL PLUG		1
56	522 47 13-01	WASHER		1
57	586 97 85-01	BEARING		2

E P 525D
LIFTING SYSTEM



Ref	Part No	Description	Remark	QTY KIT
1	576 05 01-01	GAS SPRING		1
3	721 85 70-01	CLEVIS PIN		2
4	574 45 88-01	CIRCLIP		2
5	738 88 10-01	LUBRICATION NIPPLE		2
6	576 63 04-01	BUSHING		2
7	578 96 94-01	LIFTING ARM		1
8	578 96 94-02	LIFTING ARM		1
9	575 81 44-01	BEAM		1
10	504 88 76-01	COTTER		2
11	544 21 42-01	BOLT		2
12	506 94 58-01	WASHER		2
13	580 71 76-01	LINK	LINK	2
14	576 64 57-04	NUT FLANGE		2
15	506 57 01-05	SCREW EHHFM		2
20	576 59 79-02	SHAFT ASSY		2
24	576 65 48-09	SCREW EHHFM		2
25	544 25 32-01	WASHER		4
26	576 64 57-06	NUT FLANGE		2
27	576 62 56-01	WASHER		2
28	506 96 66-01	HAIR PIN COTTER		2
29	721 68 02-51	SPRING COTTER		4
30	506 50 48-06	WASHER		2





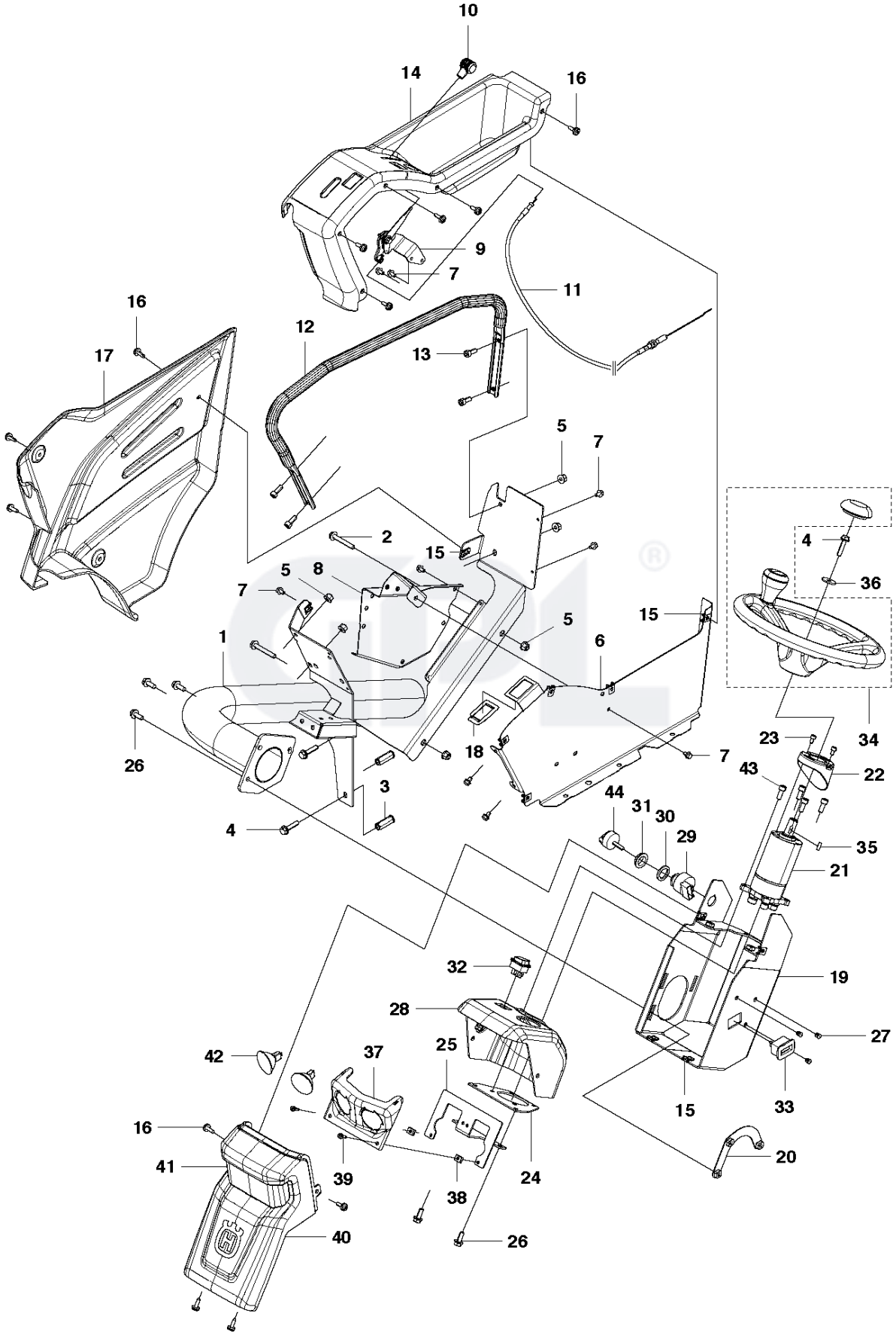
SEAT

P525 D, 966607401, serial no. 20120100001 -> 20143999999

Ref	Part No	Description	Remark	QTY KIT
1	577 20 05-01	SEAT ASSY		1
2	575 88 33-01	SHEET		1
3	575 88 34-01	LATCH		1
4	535 43 82-01	KNOB		1
5	544 21 81-03	DRAW SPRING		1
6	506 59 74-01	SCREW		4
7	576 64 57-04	NUT FLANGE		2
8	506 91 62-01	BLIND RIVET NUT		2
9	576 54 30-01	BRACKET		1
10	506 57 01-03	SCREW EHHFM		2
11	544 91 43-01	SAFETY BELT		1
12	575 88 35-01	STAY		1
13	579 47 38-01	WIRING		1
14	579 55 35-02	SEAT		1
15	579 55 35-01	SEAT		1
16	539 11 28-99	NUT, 5/16-18, NYLOC		4



F P 525D
STEERING COLUMN

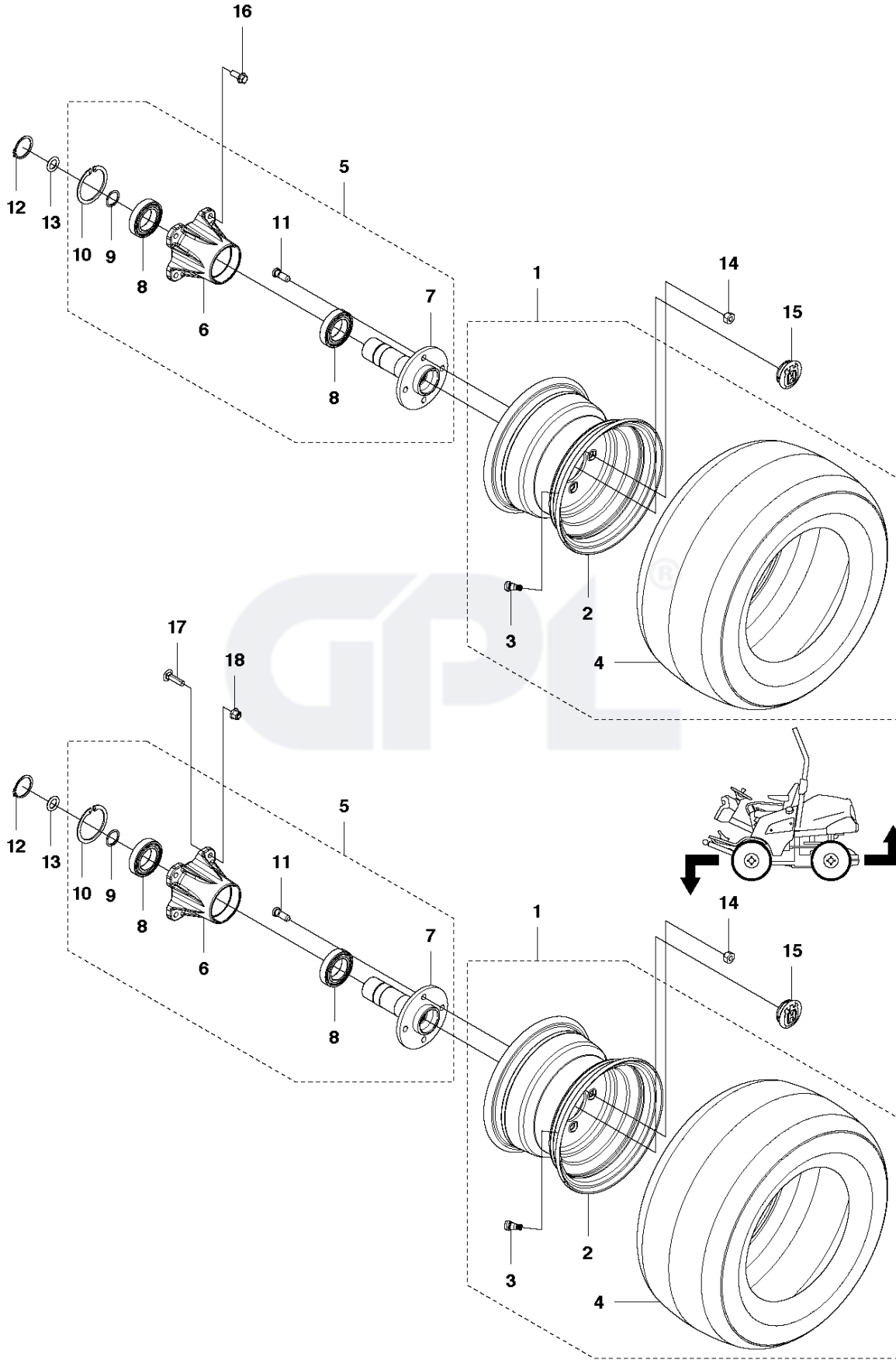


STEERING COLUMN

P525 D, 966607401, serial no. 20120100001 -> 20143999999

Ref	Part No	Description	Remark	QTY KIT
1	579 61 34-01	CONSOLE		1
2	506 57 01-07	SCREW EHHFM		2
3	576 43 42-01	HEXAGON NUT		2
4	506 57 01-06	SCREW EHHFM		3
5	576 64 57-04	NUT FLANGE		6
6	575 88 28-01	PANEL		1
7	725 23 64-61	SCREW EHHFT		9
8	576 25 62-01	BRACKET		1
9	576 80 68-01	THROTTLE CONTROL		1
10	506 88 91-01	KNOB		1
11	576 65 65-01	WIRE		1
12	575 88 29-01	HANDLE		1
13	725 54 51-01	SCREW IHSCM		4
14	577 48 80-01	PANEL		1
15	535 42 91-01	SPRING NUT		12
16	574 85 62-02	SCREW		12
17	575 88 36-01	COVER		1
18	544 40 43-01	LOCK WASHER		1
19	576 54 51-01	BRACKET		1
20	576 44 43-01	SHEET		1
21	506 06 81-01	POWER STEERING		1
22	578 79 08-01	COVER		1
23	725 53 64-01	SCREW IHSCM		2
24	576 54 50-01	BRACKET		1
25	576 02 17-01	BRACKET		1
26	506 57 01-04	SCREW EHHFM		5
27	580 27 29-01	INSERT		3
28	577 21 86-01	COVER		1
29	504 85 17-01	KEY SWITCH		1
30	535 47 50-01	WASHER		1
31	535 47 61-01	NUT		1
32	502 65 57-01	SWITCH		1
33	577 09 27-01	HOUR METER		1
34	544 29 14-01	STEERING WHEEL		1
35	735 88 12-00	WOODRUFF KEY		1
36	544 22 16-01	WASHER		1
37	535 46 42-01	LAMP BODY ASSY		1
38	506 89 20-01	SPEED NUT		2
39	535 41 56-19	SCREW		2
40	576 39 23-01	COVER		1
41	576 23 11-01	COVER		1
42	535 44 68-01	LAMP		2
43	725 54 49-01	SCREW IHSCM		4
44	535 47 60-01	IGNITION KEY		1

D P 525D
WHEELS



WHEELS & TIRES

P525 D, 966607401, serial no. 20120100001 -> 20143999999

Ref	Part No	Description	Remark	QTY KIT	
1	580 76 93-01	WHEEL ASSY		4	
2	580 76 94-01	RIM		1	1
3	523 03 47-01	VALVE		1	1
4	579 73 26-01	TYRE		1	1
5	575 88 73-01	HUB		4	
6	575 88 75-01	BEARING HOUSING		1	5
7	575 88 76-01	SHAFT		1	5
8	738 21 09-04	BALL BEARING		2	5
9	576 12 77-01	LOCK RING		1	5
10	576 12 76-01	LOCK RING		1	5
11	506 89 02-01	BOLT		4	5
12	735 31 31-10	CIRCLIP		4	
13	576 12 78-01	O-RING		4	
14	506 86 50-01	WHEEL NUT		16	
15	506 86 48-01	PROTECTIVE COVER		4	
16	506 67 54-01	SCREW EHHFM		8	
17	727 64 99-51	SCREW		8	
18	576 64 57-05	NUT FLANGE		8	

