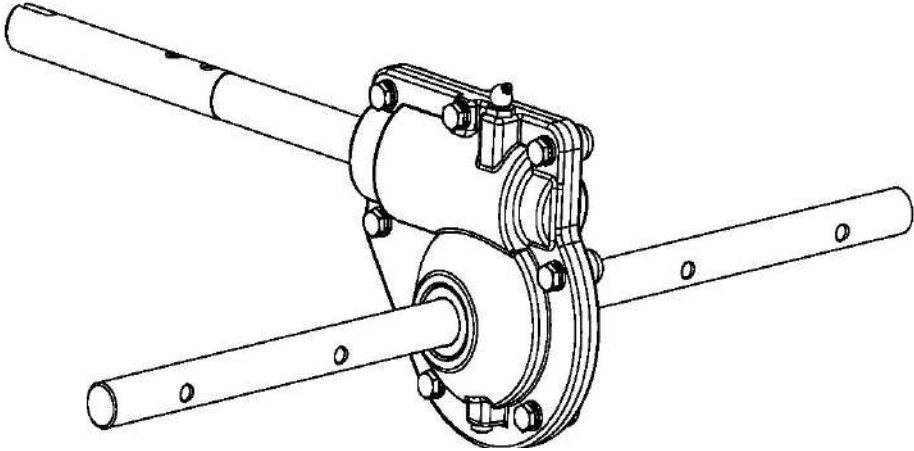
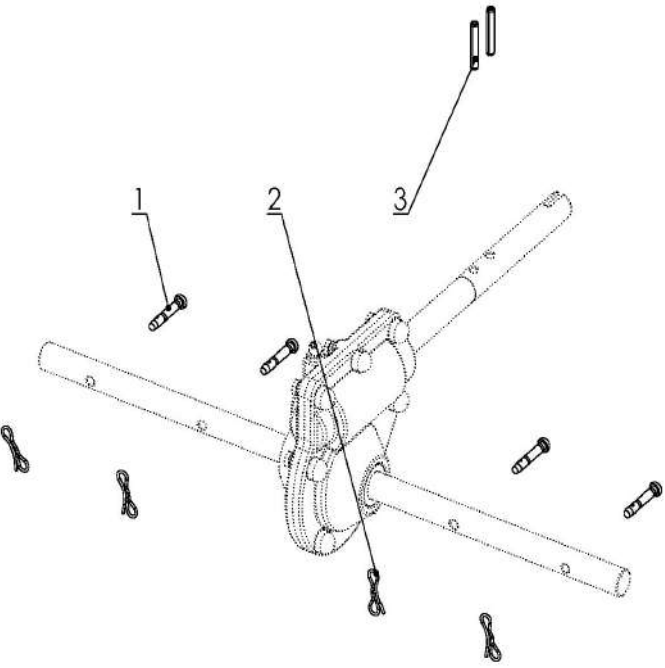
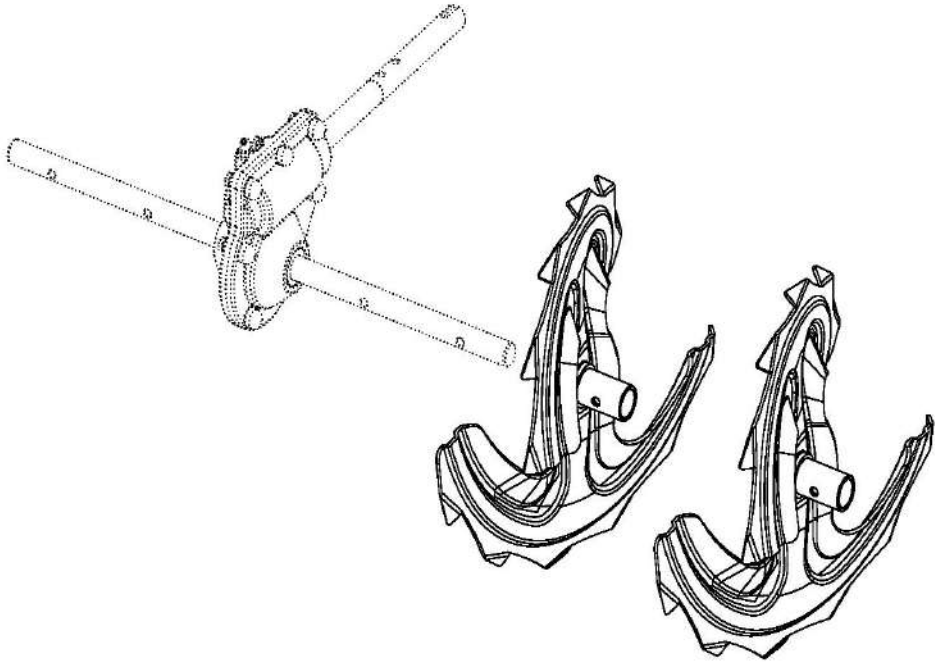
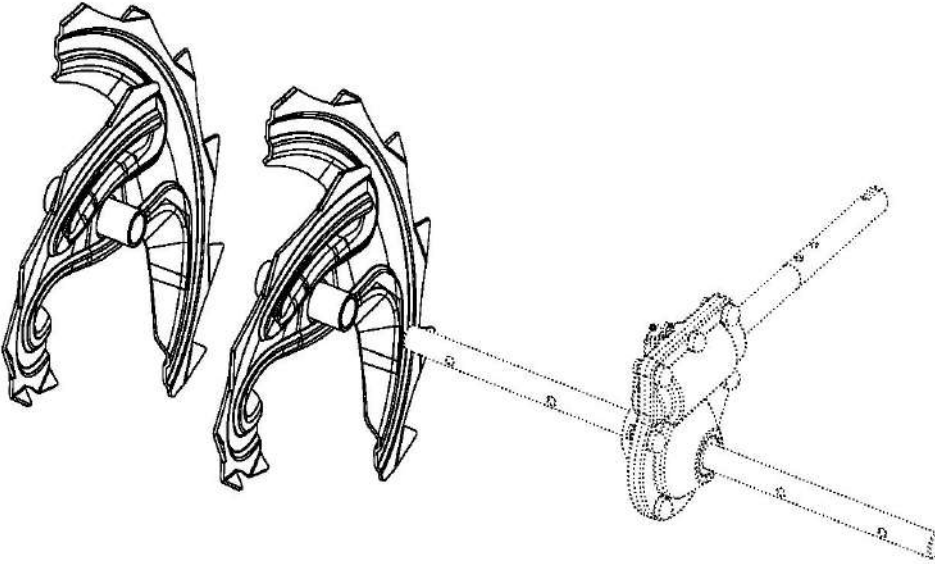


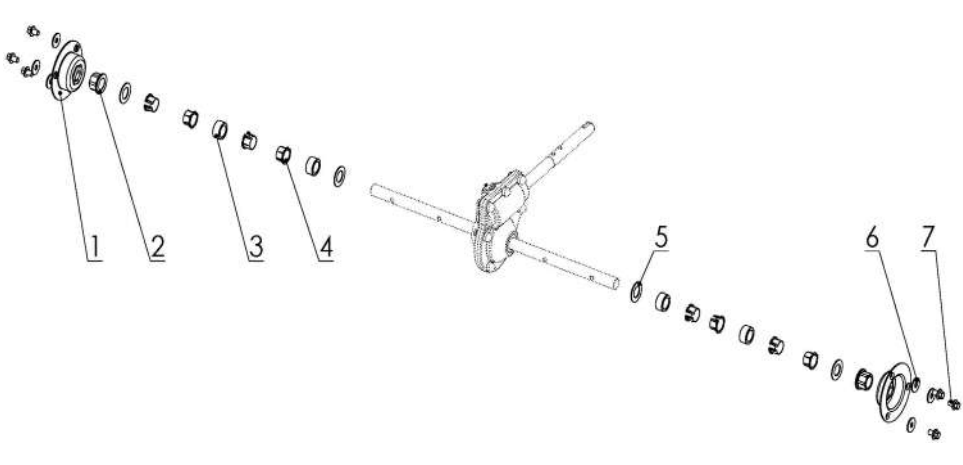
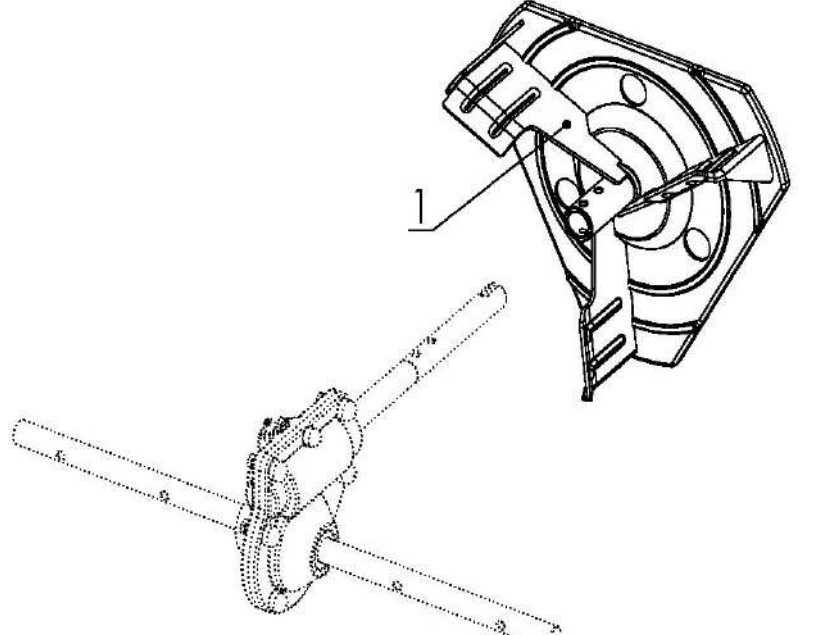
SNOW THROWER

KIT PART NUMBER	KIT DESCRIPTION	CONTENTS DESCRIPTION	QTY
596139901	GEARBOX ASSY, 24 IN HOUSING	 <ul style="list-style-type: none"> <li>BOLT M6×20 6</li> <li>BOLT M6×25 1</li> <li>SPRING WASHER 6 7</li> <li>WASHER 6 7</li> <li>ANGLE HYDRAULIC GREASE NIPPLES M10×1 1</li> <li>BALL BEARING 61904-2Z 1</li> <li>WASHER 20×27×1 1</li> <li>BEARING 51104 1</li> <li>OIL SEAL 20×32×5 1</li> <li>WORM 1</li> <li>DEEP GROOVE BALL BEARING 16001-2Z 1</li> <li>WORM GEAR 1</li> <li>OIL SEAL 19×30×7 2</li> <li>LEFT WORM GEAR CASE 1</li> <li>WOODRUFF KEY 5×7.5×19 1</li> <li>AUGER SHAFT 1</li> <li>RIGHT WORM GEAR CASE 1</li> <li>BOLT M5×8 1</li> <li>WASHER10×15×0.3 1</li> <li>GREASE 35G-55G</li> </ul>	
595920901	SERVICE KIT SHEAR PIN	 <ul style="list-style-type: none"> <li>PIN 6.1×38 4</li> <li>CIRCLIP 1.8 4</li> <li>PIN 6×35 2</li> </ul>	

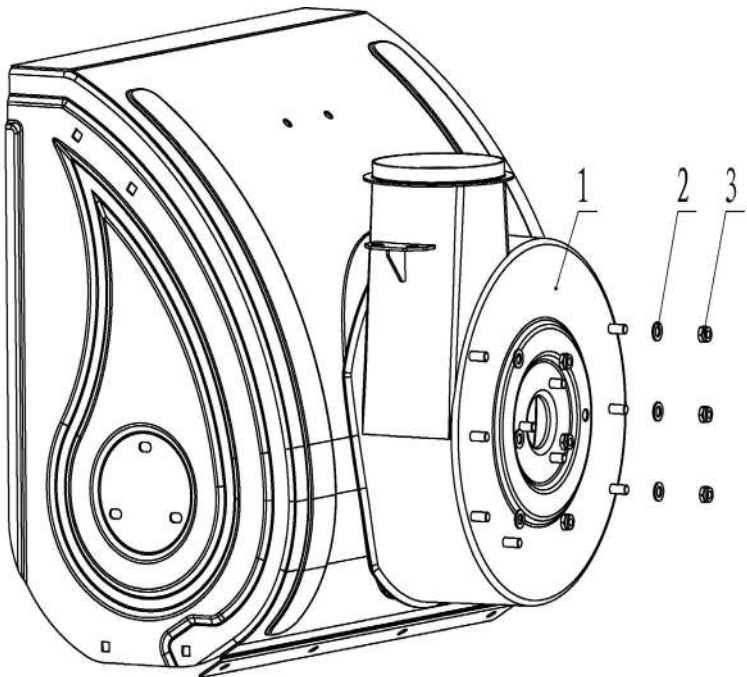
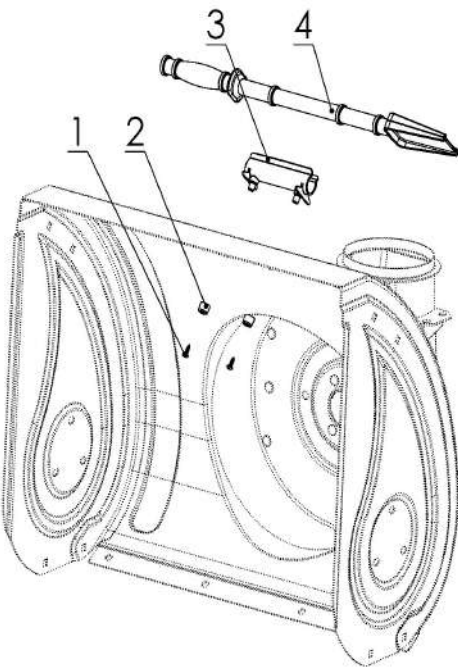
SNOW THROWER

KIT PART NUMBER	KIT DESCRIPTION	CONTENTS DESCRIPTION	QTY
595921503	SERVICE KIT RH AUGER RIBBONS	RIGHT AUGER	2
			
595921504	SERVICE KIT LH AUGER RIBBONS	LEFT AUGER	2
			

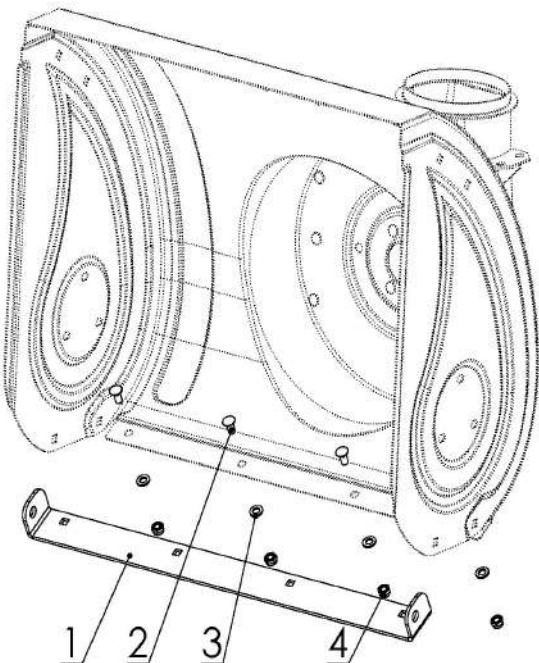
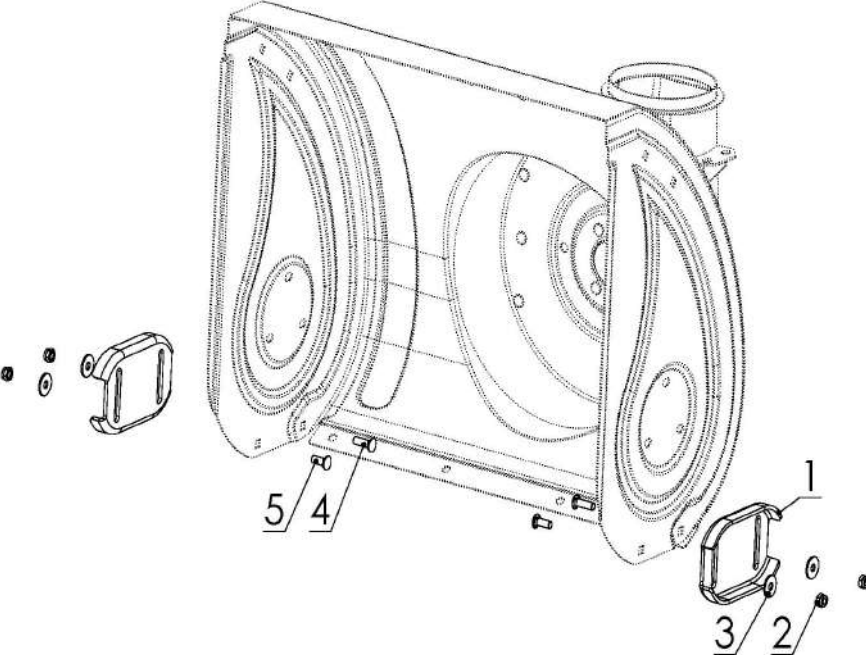
SNOW THROWER

KIT PART NUMBER	KIT DESCRIPTION	CONTENTS DESCRIPTION	QTY
595921002	SERVICE KIT AUGER HARDWARE 24 IN	COVER,SHAFT	2
		SHAFT BUSH	2
		FIXED BUSH	4
		ADJUSTING BUSH	8
		WASHER 19.5×34×1.5	4
		BIG WASHER 8	6
		BOLT M8×12	6
595921201	IMPELLER ASSY WELDMENT	IMPELLER WELDMENT	1
			

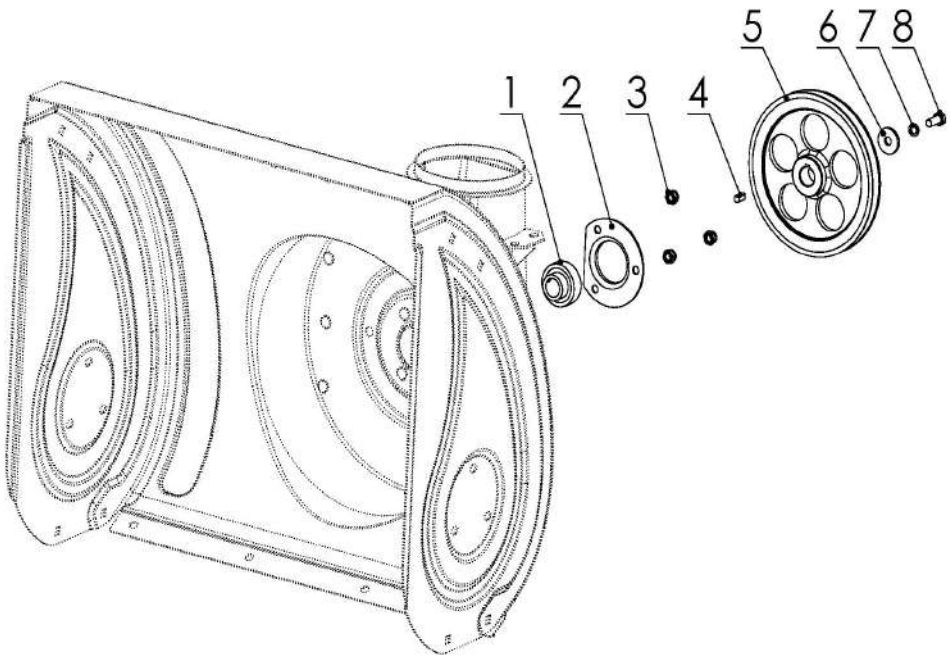
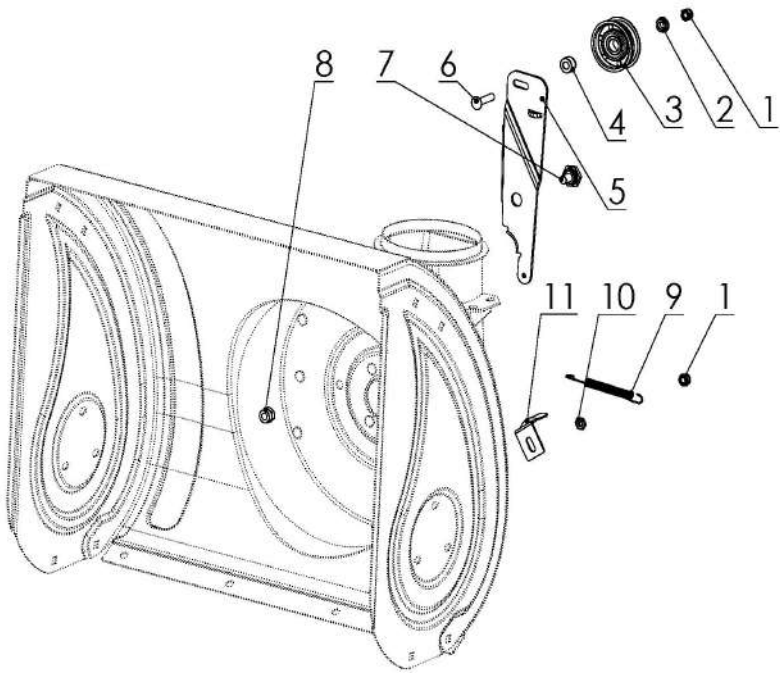
SNOW THROWER

KIT PART NUMBER	KIT DESCRIPTION	CONTENTS DESCRIPTION	QTY
595924304	24 IN HOUSING WELDMENT KIT WITH DECALS	 <p data-bbox="1052 262 1442 294">24 IN AUGER HOUSING</p> <p data-bbox="1052 294 1442 325">FLAT WASHER 8</p> <p data-bbox="1052 325 1442 357">BOLT M8</p> <p data-bbox="1052 357 1442 388">DECAL (PR230)</p> <p data-bbox="1052 388 1442 420">WARNING LABEL(108×78)</p>	<p>1</p> <p>6</p> <p>6</p> <p>1</p> <p>1</p>
595924401	CLEANOUT TOOL AND HARDWARE	 <p data-bbox="1052 1029 1442 1060">SCREW ST4.2×12</p> <p data-bbox="1052 1060 1442 1092">PRESS CAP</p> <p data-bbox="1052 1092 1442 1123">BRACKET, SHOVEL</p> <p data-bbox="1052 1123 1442 1155">SHOVEL</p>	<p>2</p> <p>2</p> <p>1</p> <p>1</p>

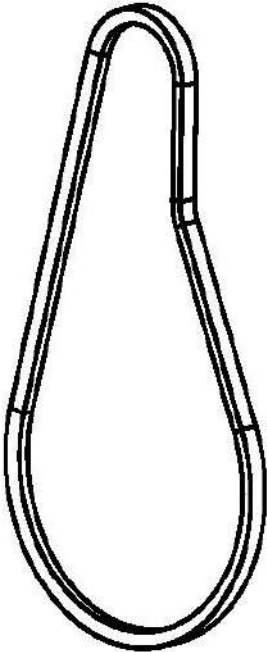
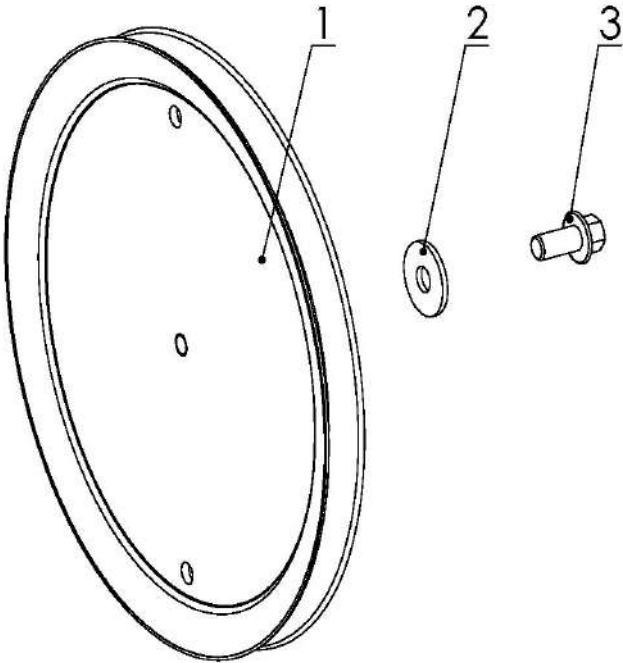
SNOW THROWER

KIT PART NUMBER	KIT DESCRIPTION	CONTENTS DESCRIPTION	QTY
595924201	24 IN SCRAPER BAR AND HARDWARE	 <p data-bbox="1057 268 1438 300">SCRAPER</p> <p data-bbox="1057 306 1438 338">FLAT WASHER 8</p> <p data-bbox="1057 344 1438 375">BOLT M8×16</p> <p data-bbox="1057 382 1438 413">NUT M8</p>	<p data-bbox="1443 268 1542 300">1</p> <p data-bbox="1443 306 1542 338">4</p> <p data-bbox="1443 344 1542 375">4</p> <p data-bbox="1443 382 1542 413">4</p>
595924101	SKID SHOES AND HARDWARE	 <p data-bbox="1057 1037 1438 1068">SKID</p> <p data-bbox="1057 1075 1438 1106">NUT M8</p> <p data-bbox="1057 1113 1438 1144">BIG WASHER 8</p> <p data-bbox="1057 1150 1438 1182">BOLT M8×25</p> <p data-bbox="1057 1188 1438 1220">BOLT M8×20</p>	<p data-bbox="1443 1037 1542 1068">2</p> <p data-bbox="1443 1075 1542 1106">4</p> <p data-bbox="1443 1113 1542 1144">4</p> <p data-bbox="1443 1150 1542 1182">2</p> <p data-bbox="1443 1188 1542 1220">2</p>

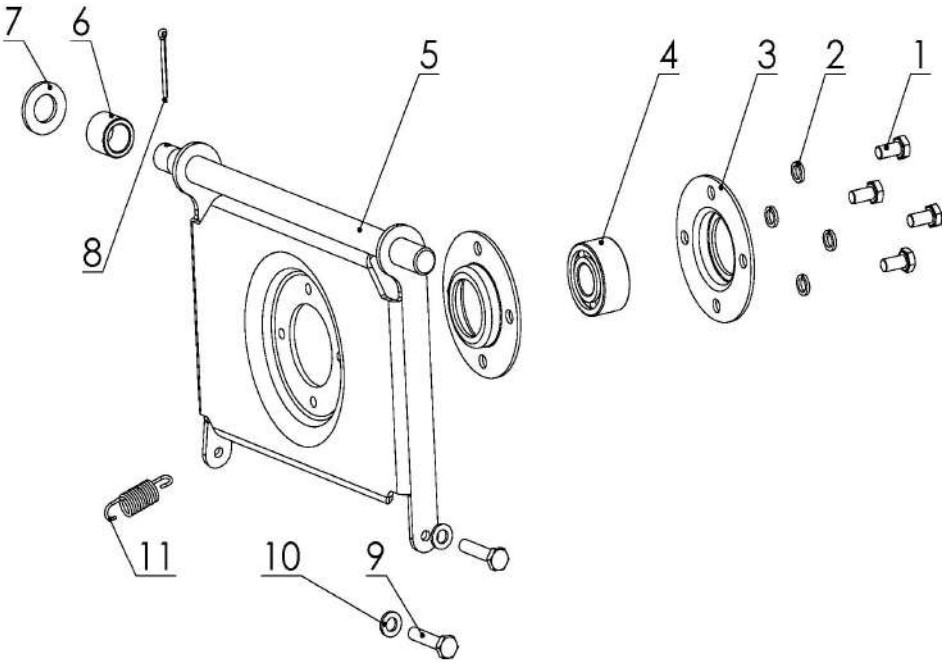
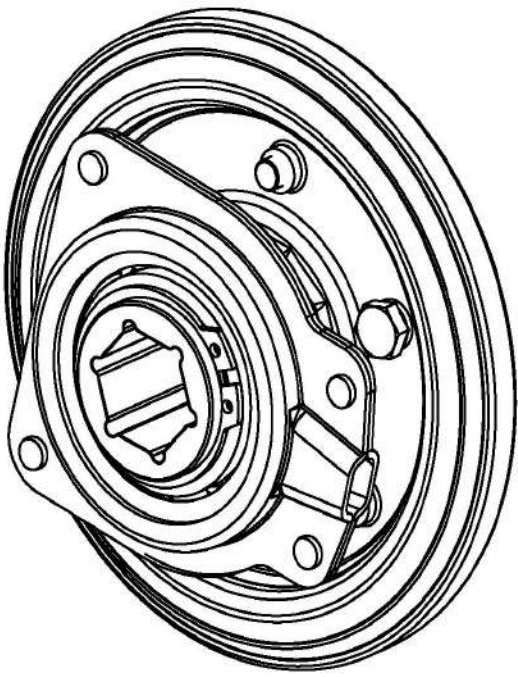
SNOW THROWER

KIT PART NUMBER	KIT DESCRIPTION	CONTENTS DESCRIPTION	QTY
595924501	IMPELLER PULLEY AND COMPONENTS	 <p>INSERT BEARING UC204            BEARING SEAT, WORM            NUT M8            KEY 6×18            DRIVEN PULLEY, AUGER            BIG WASHER 8            SPRING WASHER 8            BOLT M8×20</p>	<p>1 1 3 1 1 1 1 1</p>
595924601	BELT TENSIONER AND COMPONENTS	 <p>NUT M8            SHORT BUSH, TENSION PULLEY            TENSION PULLEY BELT            LONG BUSH, TENSION PULLEY            BRACKET, BELT TENSIONER            BOLT M8×35            BOLT M10×14            NUT M10            SPRING TENSION PULLEY            NUT M8            BELT TENSION BOARD</p>	<p>1 1 1 1 1 1 1 1 1 1 1</p>

SNOW THROWER

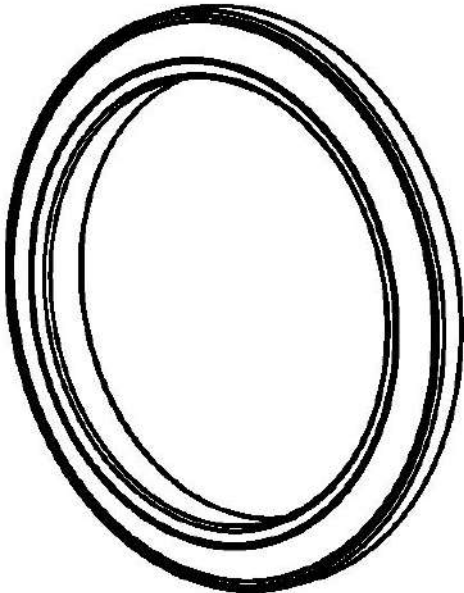
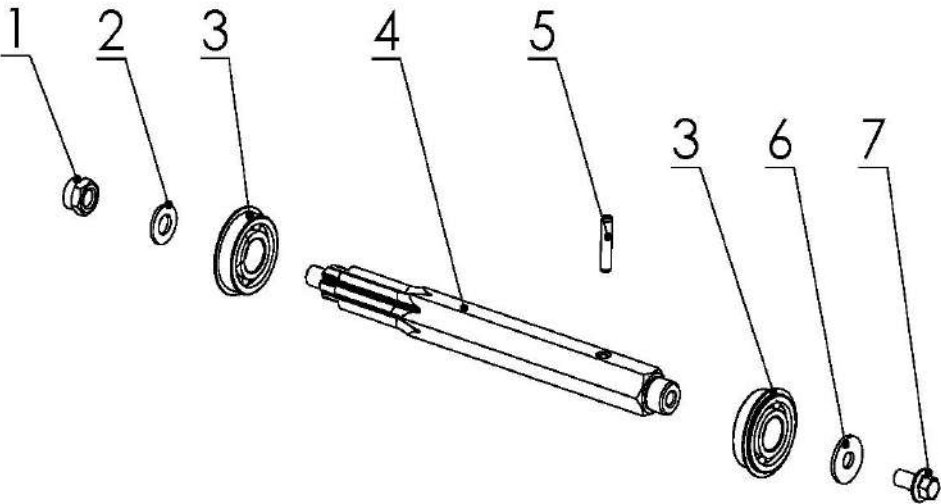
KIT PART NUMBER	KIT DESCRIPTION	CONTENTS DESCRIPTION	QTY
595924701	BELT IMPELLER	BELT AUGER 4XLA822E	1
			
595924901	DRIVE PULLEY AND HARDWARE	DRIVEN PULLEY	1
		BIG WASHER 8	1
		BOLT M8×12	1

SNOW THROWER

KIT PART NUMBER	KIT DESCRIPTION	CONTENTS DESCRIPTION	QTY
595925001	TIP PLATE AND COMPONENTS	 <p>BOLT M6×12</p> <p>SPRING WASHER 6</p> <p>BEARING SEAT, DRIVEN PULLEY</p> <p>BEARING 3202-2RS</p> <p>BRACKET, DRIVEN PULLEY</p> <p>WASHER13.5×25×2.5</p> <p>BUSH 13.2×19×16.5</p> <p>PIN 2.5×30</p> <p>BOLT M6×30</p> <p>WASHER 6</p> <p>SPRING, DRIVEN PULLEY</p>	<p>4</p> <p>4</p> <p>2</p> <p>1</p> <p>1</p> <p>1</p> <p>1</p> <p>1</p> <p>1</p> <p>2</p> <p>2</p> <p>1</p> <p></p> <p></p> <p></p> <p></p> <p></p> <p></p> <p></p> <p></p> <p></p> <p></p>
595926201	WHEEL ASSY RUBBER DRIVE WHEEL	 <p>CIRCLIP 35</p> <p>SHIFTING FORK COVER</p> <p>BOLT M6×12</p> <p>SPRING WASHER 6</p> <p>COVER, FRICTION DISK</p> <p>SHAFT SLEEVE, FRICTION DISK</p> <p>RUBBER RING, FRICTION DISK</p>	<p>1</p> <p>1</p> <p>6</p> <p>6</p> <p>2</p> <p>1</p> <p>1</p> <p></p> <p></p> <p></p> <p></p> <p></p> <p></p> <p></p> <p></p> <p></p> <p></p> <p></p> <p></p> <p></p> <p></p> <p></p>



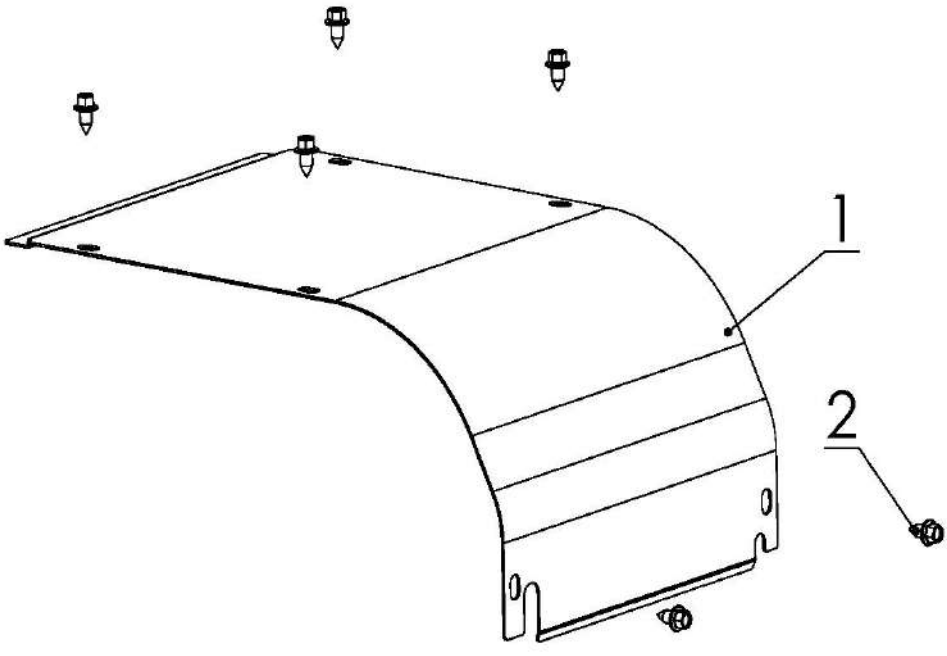
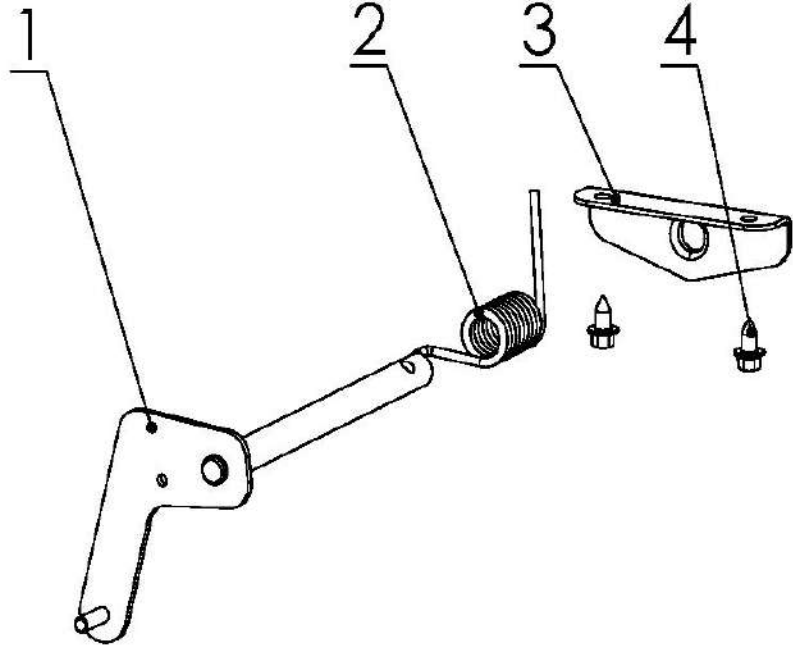
SNOW THROWER

KIT PART NUMBER	KIT DESCRIPTION	CONTENTS DESCRIPTION	QTY
595926501	RING RUBBER DRIVE WHEEL	RUBBER RING, FRICTION DISK	1
			
596012601	HEX SHAFT AND COMPONENTS	NUT M10	1
		WASHER 10	1
		BALL BEARING 6203-2RS	2
		SHAFT,FRICTION WHEEL	1
		PIN 6×28	1
		BIG WASHER 8	1
		BOLT M8×16	1

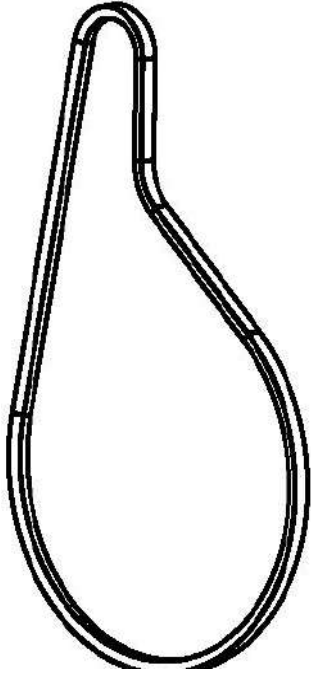
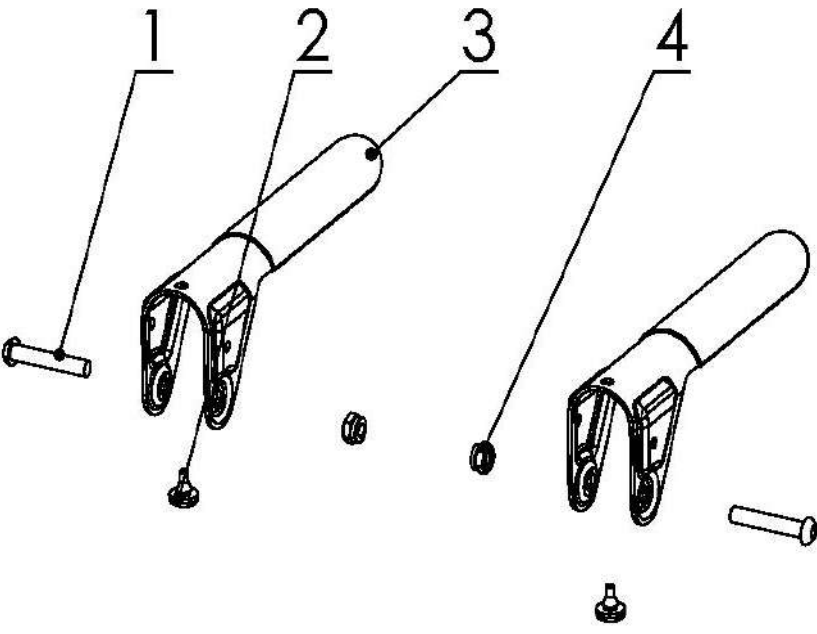
SNOW THROWER

KIT PART NUMBER	KIT DESCRIPTION	CONTENTS DESCRIPTION	QTY
596012801	AXLE SHAFT AND COMPONENTS		
		BUSH,SHAFT	2
		WALKING SHAFT	1
		WOODRUFF KEY 5×7.5×19	1
		PIN 6×28	1
		DRIVEN GEAR	1
		RETAINER RING,SHAFT 19	1
596013102	FRAME ASSEMBLY		
		FRAME ASSEMBLY	1

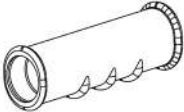
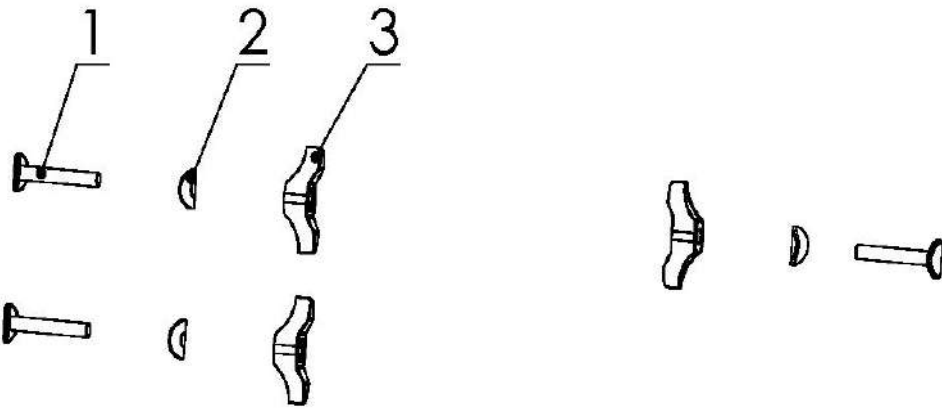
SNOW THROWER

KIT PART NUMBER	KIT DESCRIPTION	CONTENTS DESCRIPTION	QTY
596013202	FRAME COVER AND HARDWARE	FRAME COVER	1
		SELF-TAPPING SCREW ST6.3×13	6
596013301	SHIFTING FORK AND COMPONENTS	SHIFTING FORK	1
		SPRING SHIFTING FORK	1
		FIXED BOARD , FORK	1
		SELF-TAPPING SCREW ST6.3×13	2

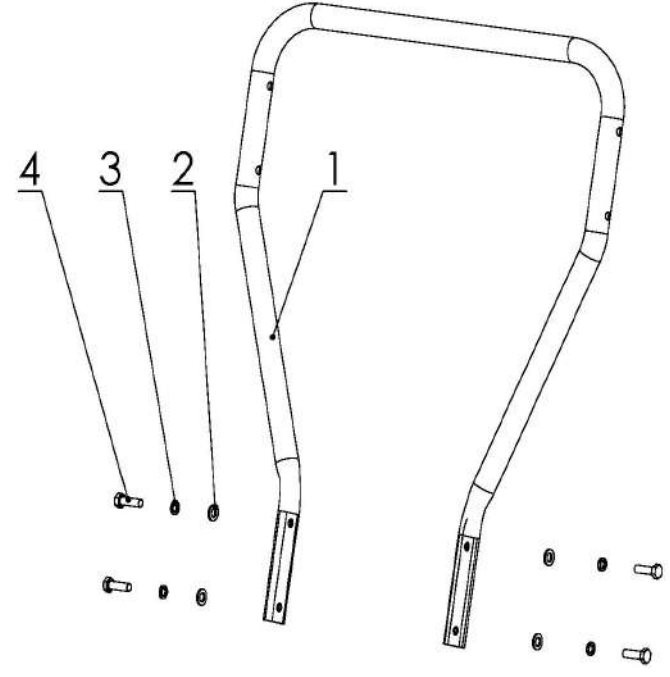
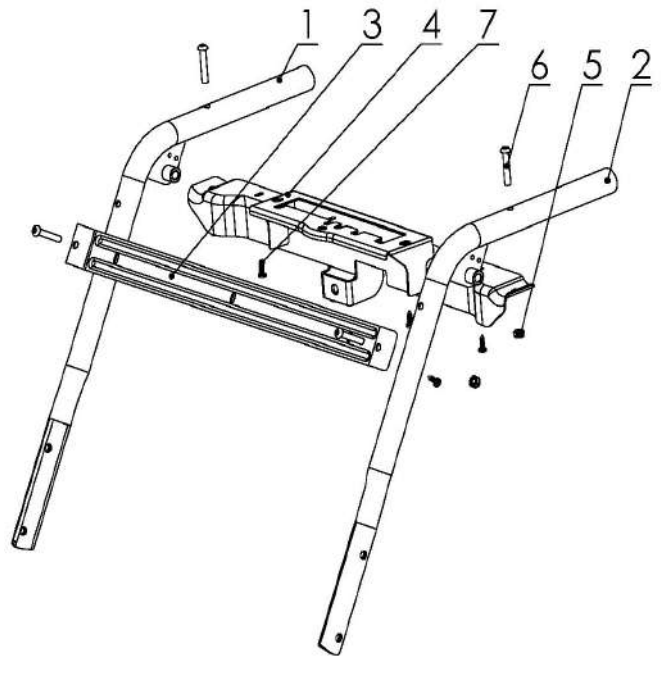
SNOW THROWER

KIT PART NUMBER	KIT DESCRIPTION	CONTENTS DESCRIPTION	QTY
596013401	BELT DRIVE	DRIVE BELT 3LXA809	1
			
596013501	CONTROL LEVERS AND HARDWARE	BOLT M8×45	2
		GASKET CLUTCH LEVER	2
		CLUTCH LEVER	2
		NUT M8	2

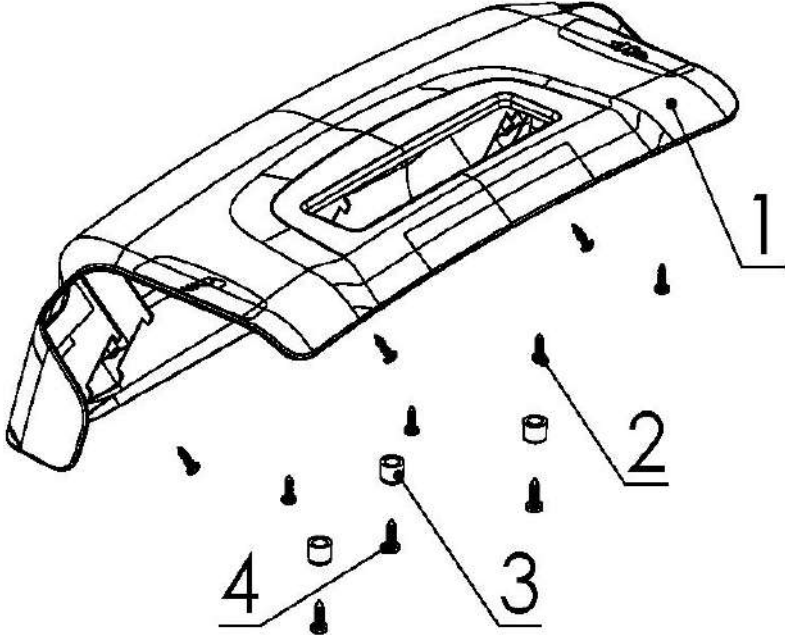
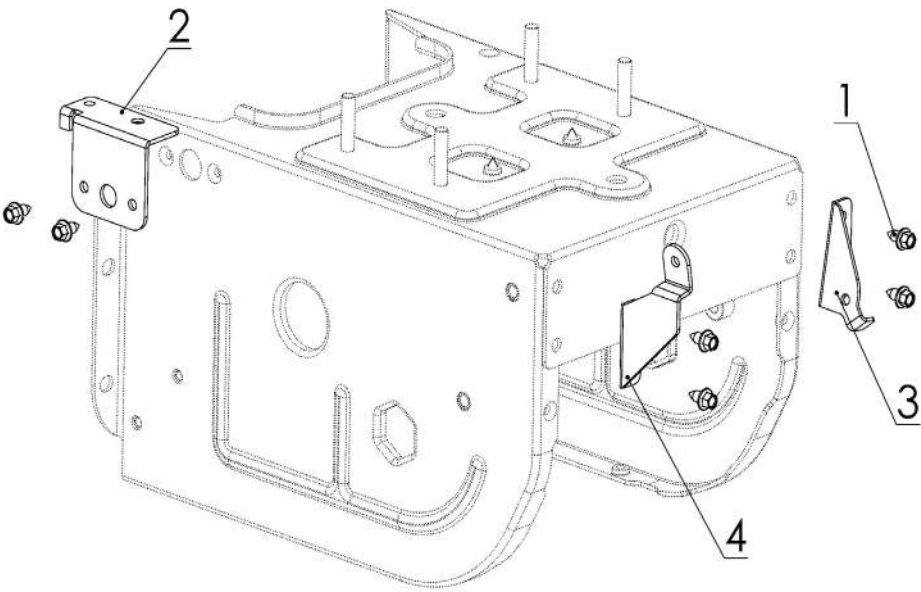
SNOW THROWER

KIT PART NUMBER	KIT DESCRIPTION	CONTENTS DESCRIPTION	QTY
596013601	HANDLE GRIPS	GRIPS	2
			
		596013701	HANDLE WING NUTS
		WASHER 8	3
		LOCK SCREW	3

SNOW THROWER

KIT PART NUMBER	KIT DESCRIPTION	CONTENTS DESCRIPTION	QTY
596013802	LOWER HANDLE AND HARDWARE		
		LOWER HANDLE	1
		WASHER 8	4
		SPRING WASHER 8	4
		BOLT M8×25	4
596014002	UPPER HANDLE MULTI SPEED AND COMPONENTS		
		RIGHT HANDLE	1
		LEFT HANDLE	1
		LOWER SUPPORT	1
		SUPPORT PANEL A	1
		NUT M6	4
		BOLT M6×35	4
		BOLT ST4.2×12	7

SNOW THROWER

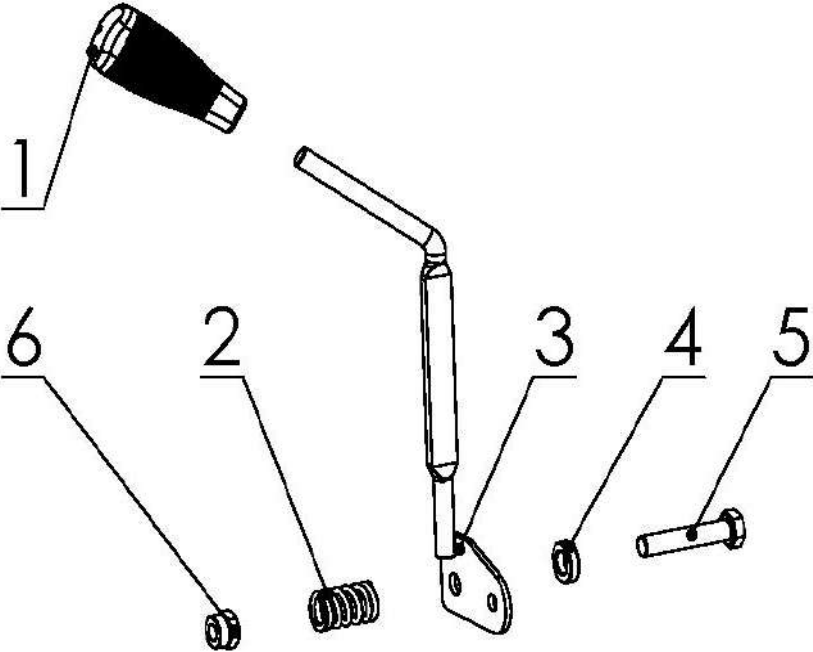
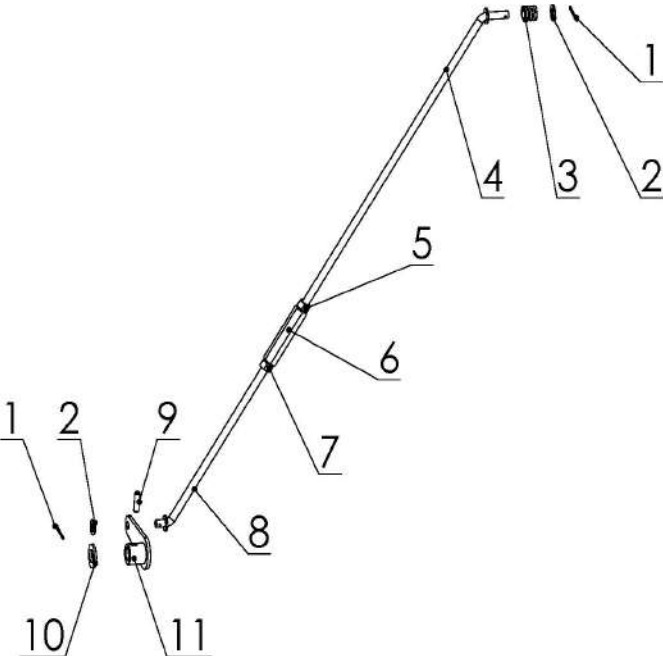
KIT PART NUMBER	KIT DESCRIPTION	CONTENTS DESCRIPTION	QTY
596014202	CONSOLE MULTI SPEED AND HARDWARE	CONSOLE PANEL 4FWD/1REV BOLT ST4.2×12 PRESS CAP BOLT ST4.8×16 WARNING LABEL (153×27)	1 7 3 3 1
			
596014301	CABLE BRACKETS AND HARDWARE	BOLT ST6.3×13 REAR BRACKET, AUGER CABLE BRACKET, WALKING CABLE FRONT BRACKET, CLUTCH CABLE	6 1 1 1
			

## SNOW THROWER

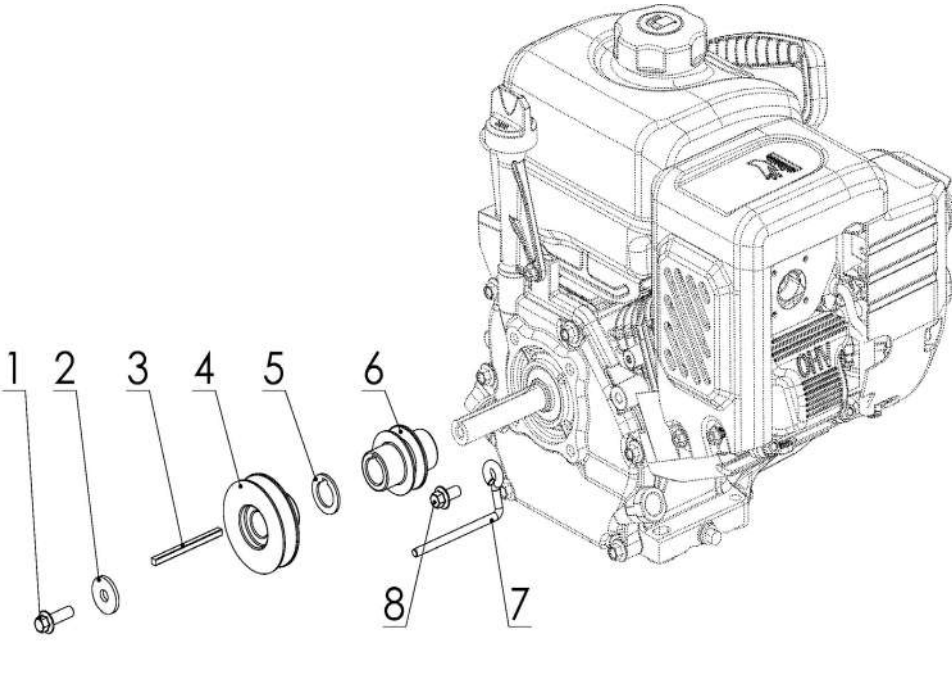
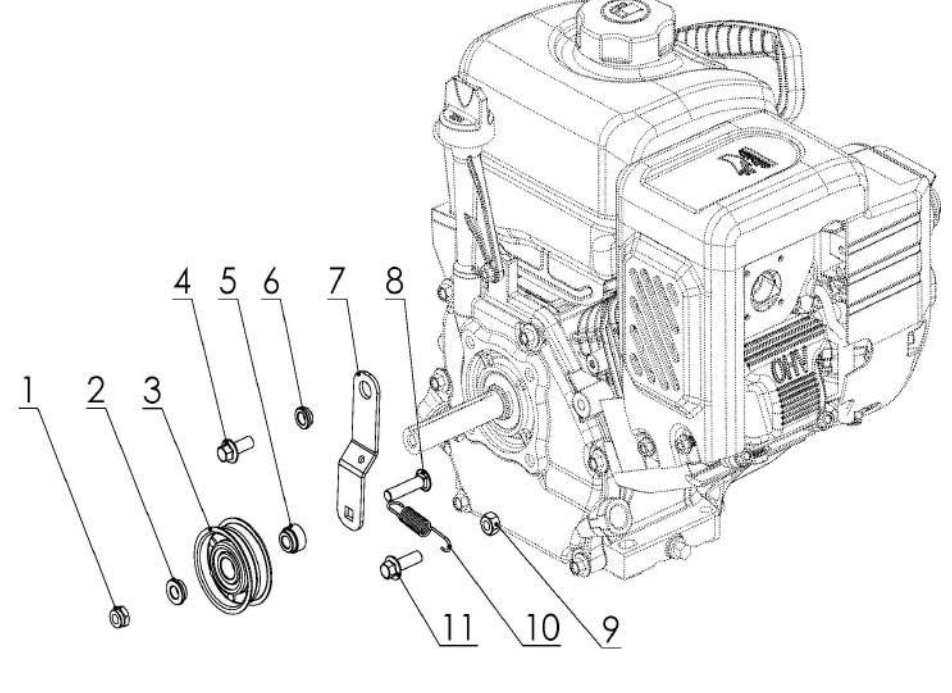
KIT PART NUMBER	KIT DESCRIPTION	CONTENTS DESCRIPTION	QTY
596014601	CABLE PULLEYS AND HARDWARE		
		CABLE PULLEY	3
		SHAFT M6×10 ,CABLE PULLEY	3
		NUT M6	3
596014901	CONTROL CABLES		
		CLUTCH CABLE,WALKING	1
		CLUTCH CABLE,AUGER	1



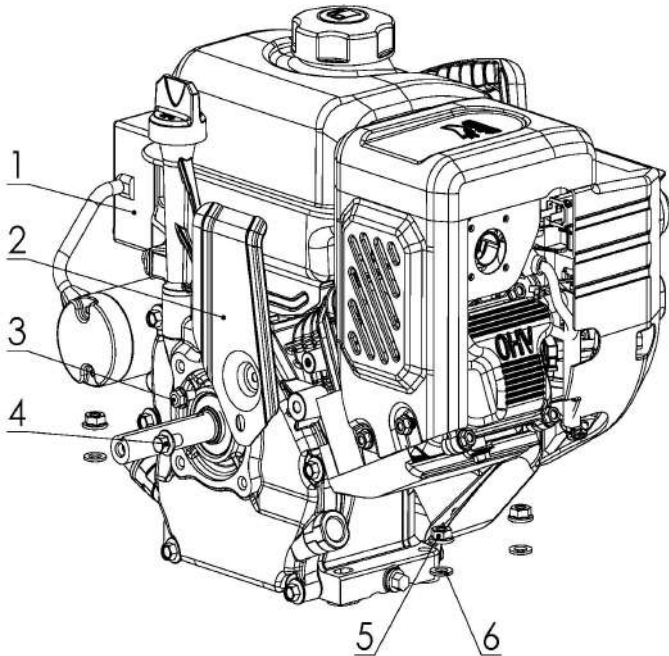
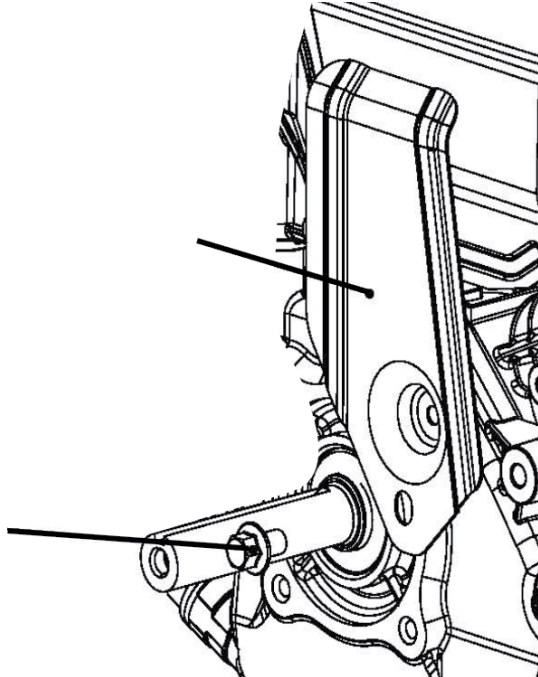
SNOW THROWER

KIT PART NUMBER	KIT DESCRIPTION	CONTENTS DESCRIPTION	QTY
596015001	UPPER SPEED CONTROL AND HARDWARE	SHIFTING LEVER SHIFTING SPRING SHIFTING ROD BUSH 11×20×5 BOLT M10×50 NUT M10	1 1 1 1 1 1
			
596015101	LOWER SPEED CONTROL ROD AND HARDWARE	PIN 2×25 WASHER 8 SPRING, SHIFTING ROD UPPER SHIFTING ROD NUT M8 ADJUSTING LEVER, ROD BOLT M8 LOWER SHIFTING ROD PIN 6×22 WASHER 13.5×25×2.5 CONNECTING ARM	2 2 1 1 1 1 1 1 1 1 1
			

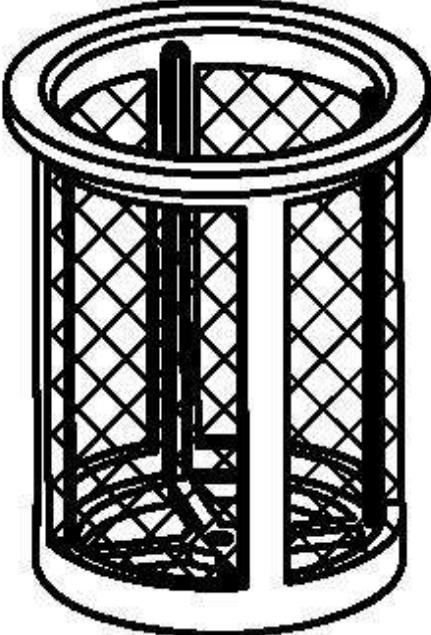
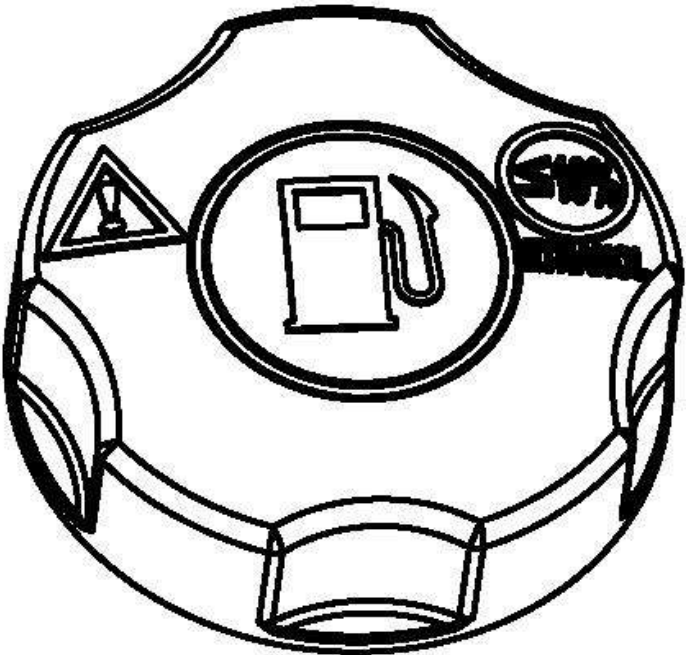
SNOW THROWER

KIT PART NUMBER	KIT DESCRIPTION	CONTENTS DESCRIPTION	QTY
596015201	ENGINE PULLEYS AND COMPONENTS	BOLT M8×25 BIG WASHER 8 KEY 4.78×70 DRIVING PULLEY,AUGER WASHER DRIVING PULLEY DRIVING PULLEY,WALKING BELT GUIDE BOLT M8×16	1 1 1 1 1 1 1
			
596015301	IDLER ARM AND COMPONENTS	NUT M8 BUSH,TENSION PULLEY TENSION PULLEY BOLT M8×20 SLEEVE,TENSION PULLEY BUSH,TENSION PULLEY BRACKET BRACKET,TENSION PULLEY BOLT M8×35 NUT M8 SPING,TENSION PULLEY BOLT M8×25	1 1 1 1 1 1 1 1 1 1 1
			

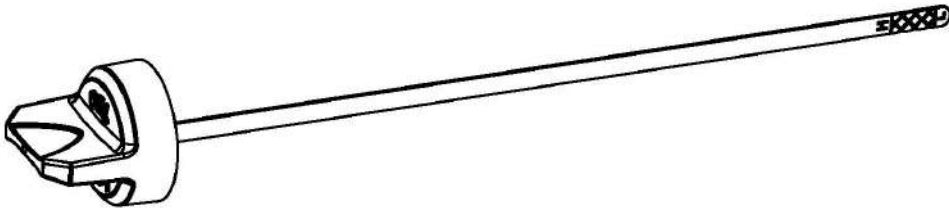
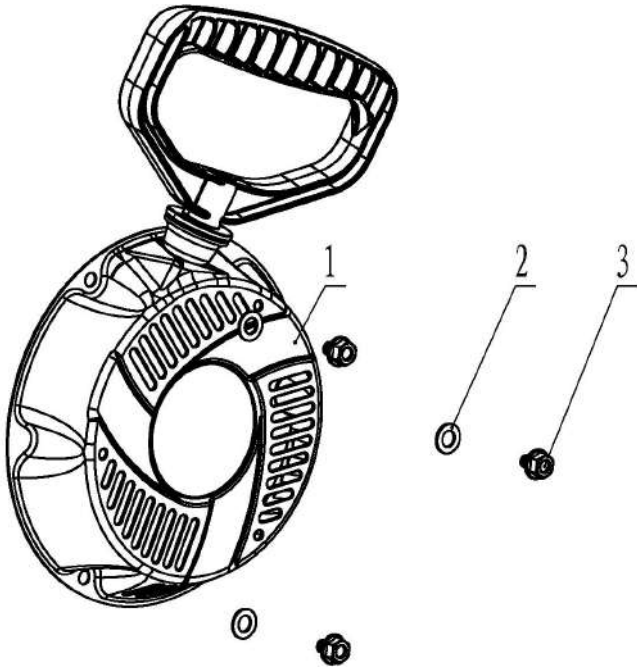
SNOW THROWER

KIT PART NUMBER	KIT DESCRIPTION	CONTENTS DESCRIPTION	QTY
596210001	ENGINE ASSEMBLY WITH SHIELD ES	 <ul style="list-style-type: none"> <li data-bbox="1057 260 1437 291">W210FSE ENGINE 1</li> <li data-bbox="1057 296 1437 327">WIND SHIELD 1</li> <li data-bbox="1057 331 1437 363">BOLT M6×12 1</li> <li data-bbox="1057 367 1437 399">BOLT M8×12 1</li> <li data-bbox="1057 403 1437 434">NUT M8 4</li> <li data-bbox="1057 438 1437 470">FLAT WASHER 8 4</li> <li data-bbox="1057 474 1437 506">WARNING LABEL(100×20) 1</li> <li data-bbox="1057 510 1437 541">WARNING LABEL(100×20) 1</li> <li data-bbox="1057 546 1437 577">SPEED CONTROL DECAL(97×27) 1</li> <li data-bbox="1057 581 1437 613">ADD OIL DECAL(30×15) 1</li> <li data-bbox="1057 617 1437 648">RECOIL COVER DECAL (60.5×60.5) 1</li> </ul>	
596866501	ENGINE WIND SHIELD	 <ul style="list-style-type: none"> <li data-bbox="1057 1033 1437 1064">WIND SHIELD 1</li> <li data-bbox="1057 1068 1437 1100">BOLT M8×12 1</li> </ul>	

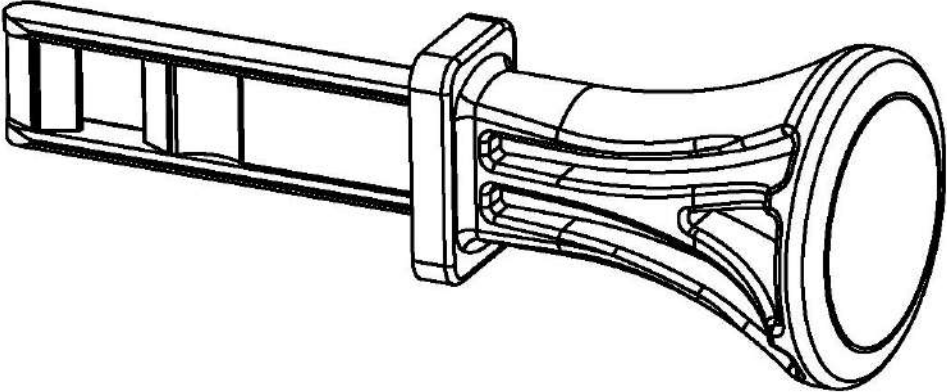

SNOW THROWER

KIT PART NUMBER	KIT DESCRIPTION	CONTENTS DESCRIPTION	QTY
596015501	FUEL FILTER	FUEL FILTER	1
			
596015601	GAS CAP	GAS CAP	1
			


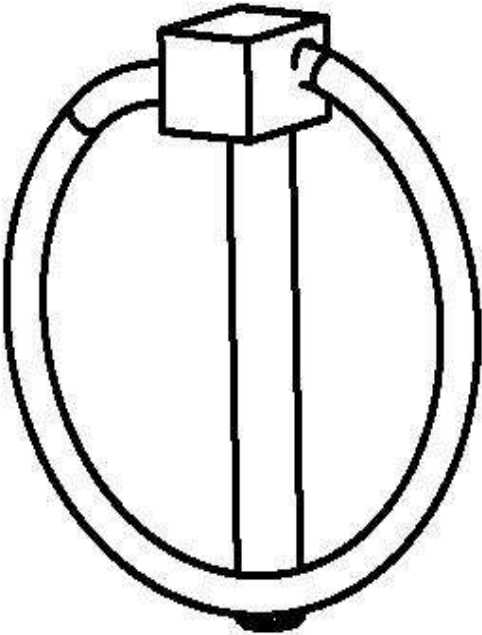
SNOW THROWER

KIT PART NUMBER	KIT DESCRIPTION	CONTENTS DESCRIPTION	QTY
596015701	OIL CAP AND DIP STICK ASSEMBLY	OIL CAP AND DIPSTICK ASM	1
			
596015801	PULL START ASSEMBLY	PULL START ASSEMBLY	1
		FLANGE BOLT M6×8	3
		WASHER 6	3
			1

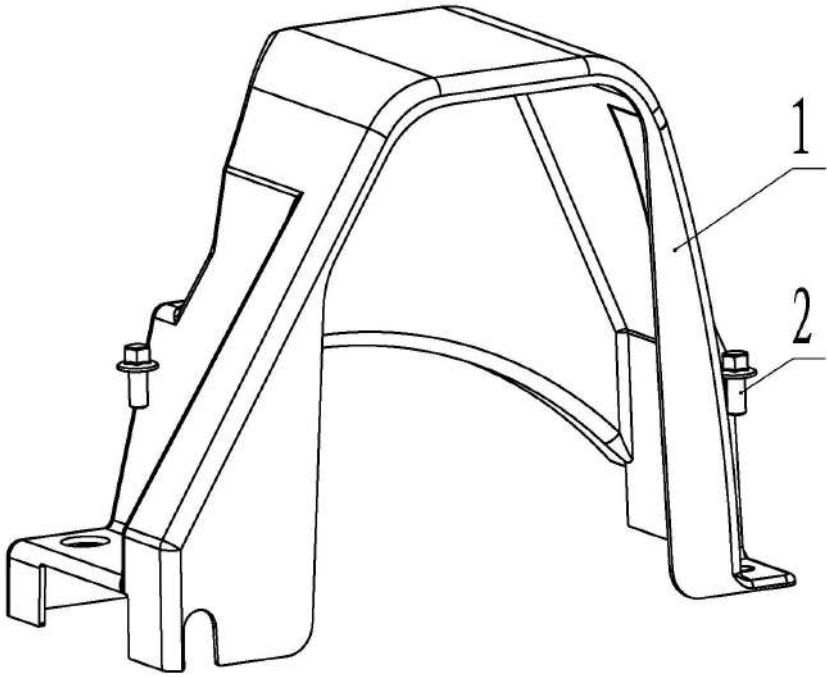
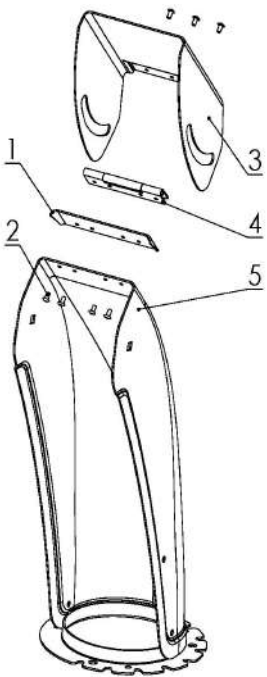
SNOW THROWER

KIT PART NUMBER	KIT DESCRIPTION	CONTENTS DESCRIPTION	QTY
596018201	ENGINE KEY	ENGINE KEY SET OF 2	1
			
596015902	RH WHEEL ASSEMBLY AND COMPONENTS	TIRE 13×4.1-6	1
		HUB 13×4.1-6	1
		AIR VALVE	1
		CAP AIR VALVE	1
		SHAFT SLEEVE WITH HOLE, HUB	1
		SHAFT SLEEVE WITHOUT HOLE, HUB	1
		WASHER 19.5×34×1.5	1

SNOW THROWER

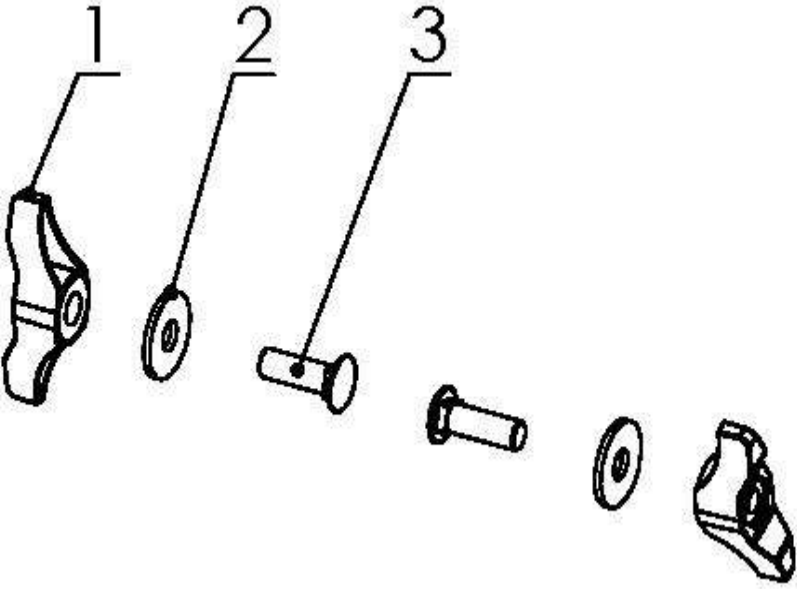
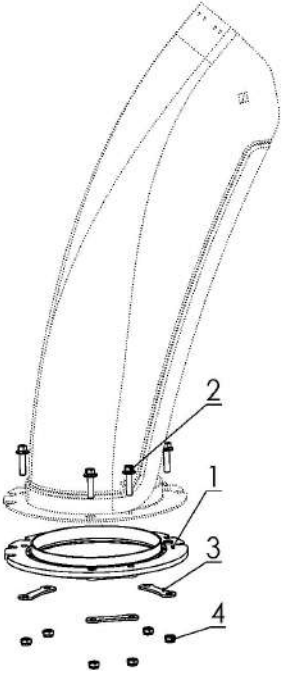
KIT PART NUMBER	KIT DESCRIPTION	CONTENTS DESCRIPTION	QTY
596016002	LH WHEEL ASSEMBLY AND COMPONENTS	TIRE 13×4.1-6 HUB 13×4.1-6 AIR VALVE CAP AIR VALVE SHAFT SLEEVE WITH HOLE, HUB SHAFT SLEEVE WITHOUT HOLE, HUB WASHER 19.5×34×1.5	1 1 1 1 1 1 1
			
596016101	CLIK PIN WHEEL ATTACHMENT	PIN 6×45	2
			

SNOW THROWER

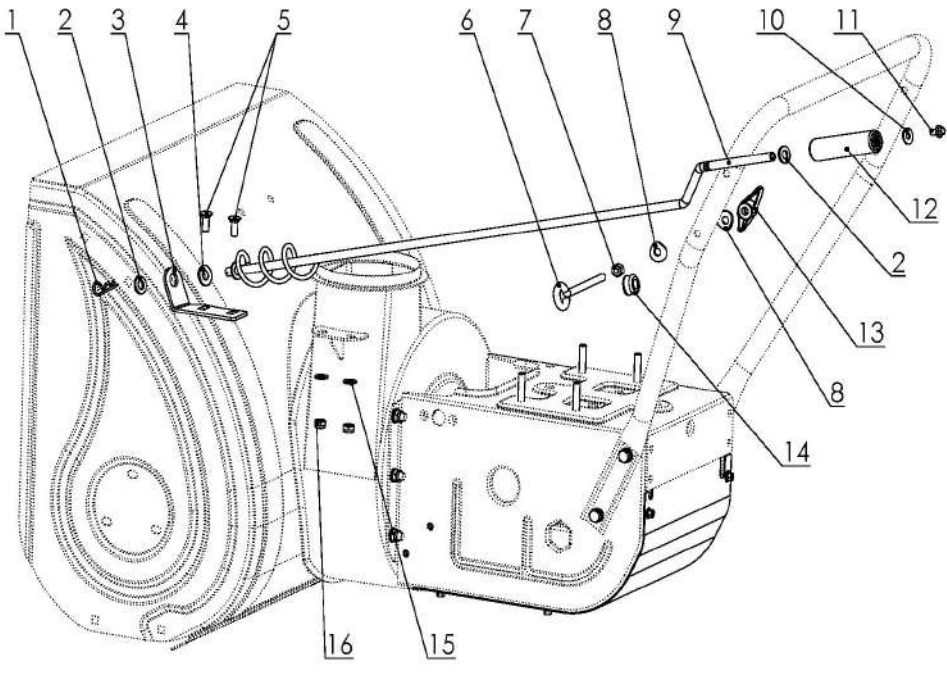
KIT PART NUMBER	KIT DESCRIPTION	CONTENTS DESCRIPTION	QTY
596016201	BELT COVER AND HARDWARE		
		BELT COVER	1
		BOLT M6×12	2
596017602	CHUTE ASSEMBLY		
		RUBBER GASKET, CHUTE	1
		BOLT 4×12	7
		CHUTE COVER	1
		HINGE	1
		CHUTE	1
		WARNING LABEL(78×108)	1



SNOW THROWER

KIT PART NUMBER	KIT DESCRIPTION	CONTENTS DESCRIPTION	QTY
596017701	CHUTE DEFLECTOR WINGNUTS	WING NUT	2
		BIG WASHER	2
		BOLT M8×25	2
596017801	CHUTE RING AND HARDWARE	SHIM	1
		BOLT M6×22	6
		POSITION BOARD CHUTE	3
		NUT M6	6

SNOW THROWER

KIT PART NUMBER	KIT DESCRIPTION	CONTENTS DESCRIPTION	QTY
596017901	CHUTE ROTATOR HANDLE AND COMPONENTS		
		CIRCLIP F	1
		FLAT WASHER 10	2
		FIXED BOARD, ROTATOR	1
		SEAT, ROTATOR	1
		BOLT M8×20	2
		FIXED ROD, ROTATOR	1
		NUT M8	1
		WASHER 8	2
		ROD	1
		BIG WASHER	1
		BOLT M6×12	1
		HANDLE BAR ROTATOR	1
		LOCK NUT HANDLE	1
		BUSH ROTATOR	1
		FLAT WASHER 8	2
		NUT M8	8

REPAIR PARTS  
SNOW THROWER

MODEL NO. **ST124** (97044930100), PRODUCT NO. 970 44 93 01



REPAIR PARTS  
SNOW THROWER

MODEL NO. **ST124** (97044930100), PRODUCT NO. 970 44 93 01

